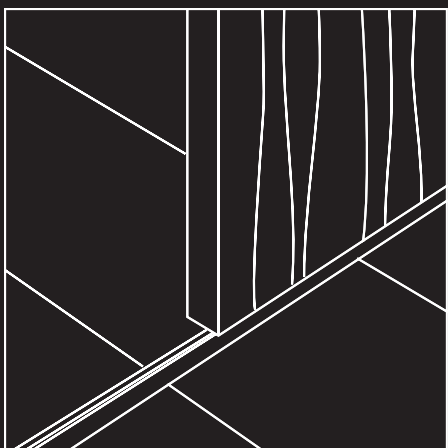
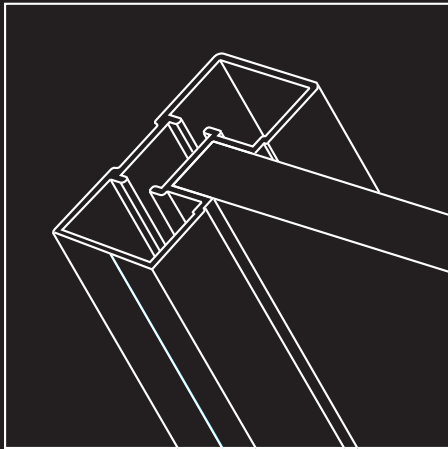
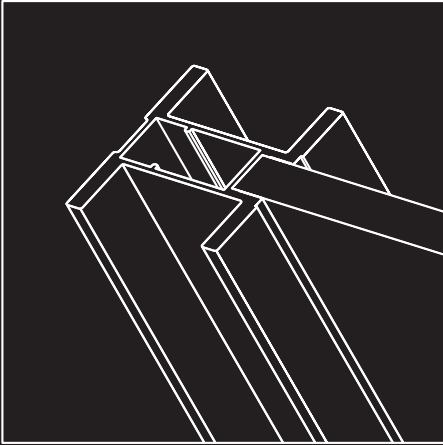


SLIDING DOOR SYSTEM_ S42

PRODUCT LIST



System description

Accessories

raumplus

SLIDING DOOR SYSTEM_ S42

1.0_ System description_ page 03

2.0_ Profiles_ page 04

3.0_ System description S1600 fixed panels_ page 07

4.0_ Profiles_ page 08

5.0_ Accessories / S1600_ page 10

6.0_ Profile finishes_ page 13

7.0_ Panels_ page 14

8.0_ Top tracks_ page 18

9.0_ Bottom Tracks_ page 20

10.0_ Accessories_ page 23

SYSTEM DESCRIPTION_ S42

SLIDING DOOR SYSTEM

1.1_ Overview

The key features of our made-to-measure system are versatility in customization and quality of our hardware allowing for individual solutions and unparalleled operation. The S42 system is ideal for applications in commercial environments.

Doors can be ordered fully assembled with our standard panel materials or as frame kits to accommodate a panel material of your choosing. Assembly of doors with customer's own materials (COM) is available; please contact Raumplus for more information.

1.2_ Fully assembled door

Made-to-measure per specifications with the following design parameters:

- _ Maximum height 3048mm [10'-0"]
- _ Maximum width 1829mm [6'- 0"]
- _ Maximum weight 180kg [390lbs]
- _ Standard finish: Clear anodized aluminum (silver)
- _ Top / bottom tracks shipped 50mm [2"] over-length for trimming on-site

System components (quantity per door):

Top Track

- 1_ Top track (varies by order)
- 2_ Positioning for top track (2)

Door

- 3_ Top roller (2)
- 4_ Top rail (1)
- 5_ Stile (2)
- 6_ Frame screw (4)
- 7_ Plug / cover (4)
- 8_ Brush gasket (1 stile only)
- 9_ Panel (varies by order)
- 10_ Panel gasket (all sides of panel)
- 11_ Bottom rail (1)
- 12_ Height adjustment screw (2)
- 13_ Bottom roller (2)

Bottom track

- 14_ Bottom track (varies by order)
- 15_ Inset cover (for double or triple tracks only)
- 16_ Reinforcement plate * not shown

1.3_ Frame kit

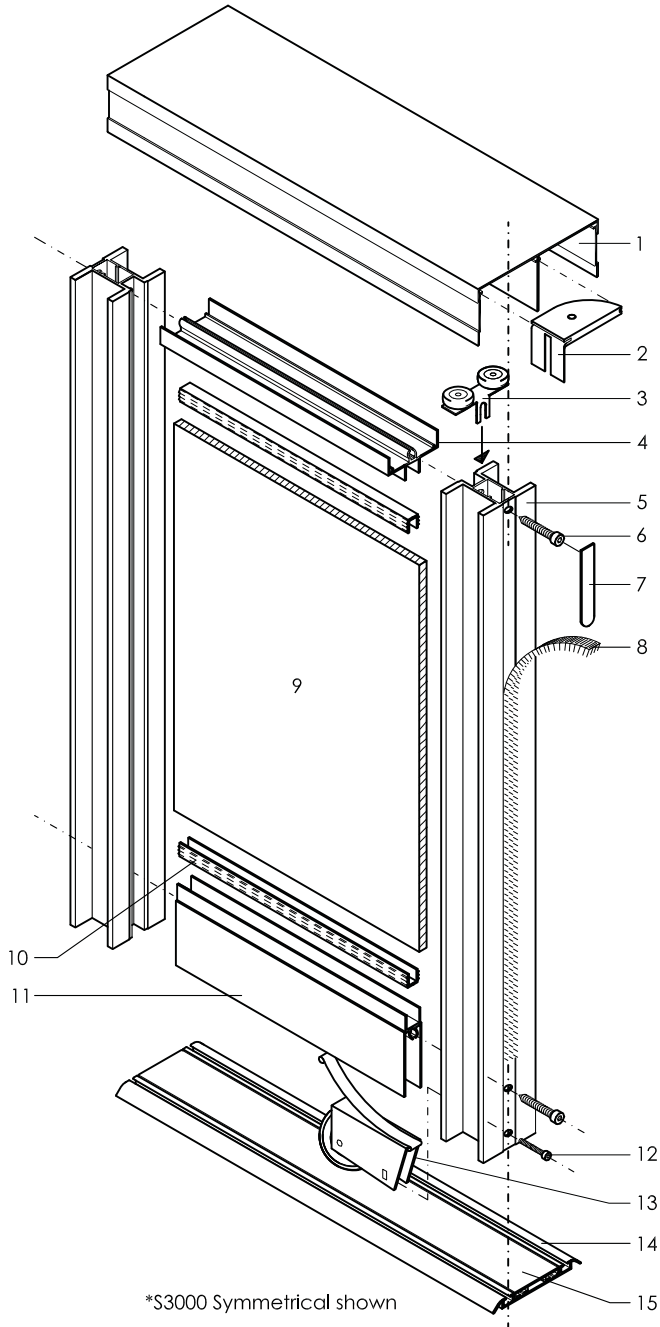
Frame kits are made-to-measure per specifications and ready for assembly using customer's own panel material. In addition to the design parameters listed for fully assembled doors, please consider the following:

- _ Minimum panel thickness 4mm [5/32"]
- _ Maximum glass thickness 8mm [5/16"]
- _ Maximum solid panel thickness 10mm [3/8"]

Appropriate panel gasket to be specified when ordering:

- _ 4mm [5/32"]
- _ 5mm [3/16"]
- _ 6mm [1/4"]
- _ 7mm [9/32"]
- _ 8mm [5/16"]

*Gasket not required for solid 10mm [3/8"] material

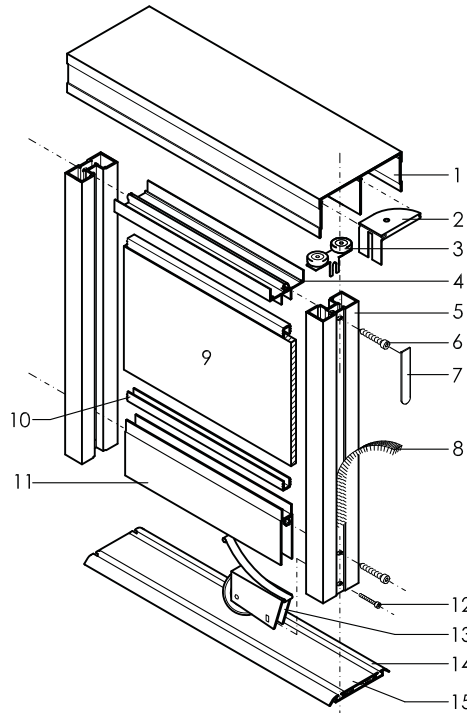
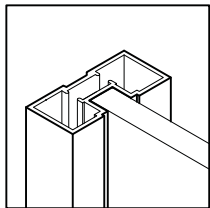


SYSTEM DESCRIPTION_ S42

SLIDING DOOR SYSTEM

2_ Profiles

2.1_ S1500 Isometric view



Each sliding door is composed of the following:

Top track

- 1_ Top track (varies by order)
- 2_ Positioning for top track (2)

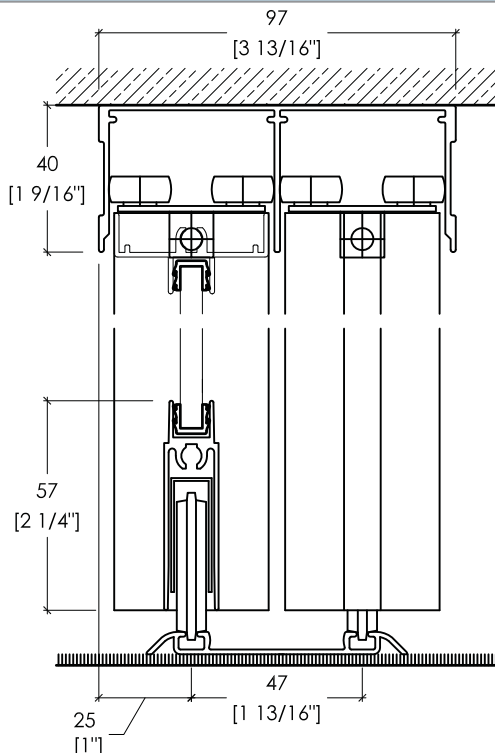
Door

- 3_ Top roller (2)
- 4_ Top rail (1)
- 5_ Stile (2)
- 6_ Frame screw (4)
- 7_ Plug / cover (4)
- 8_ Brush gasket (1 stile only)
- 9_ Panel (1)
- 10_ Panel gasket (all sides of panel)
- 11_ Bottom rail (1)
- 12_ Height adjustment screw (2)
- 13_ Bottom roller (2)

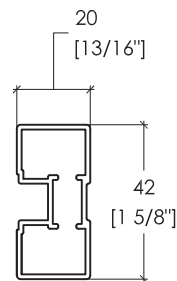
Bottom track

- 14_ Bottom track (varies by order)
- 15_ Inset cover (varies by order)
- 16_ Reinforcement plate * not shown

S1500 Section and stile detail



Square



Symmetrical



Asymmetrical



S1500 Stile

Finish

Standard: Clear anodized aluminum (silver)

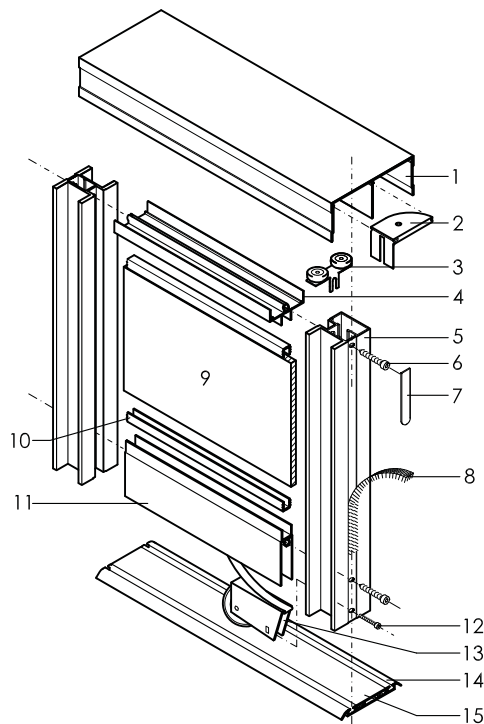
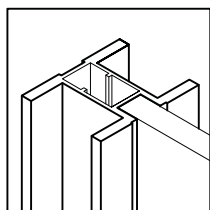
Application

Residential / commercial projects
Room dividers or passage doors

Dimensions

Max size 1829mm x 3048mm [6' x 10']
Max weight 180kg [390lbs]
Panel thickness 4mm [3/16"] to 10mm [3/8"] *10mm no gasket

2.2_ S3000 Isometric view



Each sliding door is composed of the following:

Top track

- 1_ Top track (varies by order)
- 2_ Positioning for top track (2)

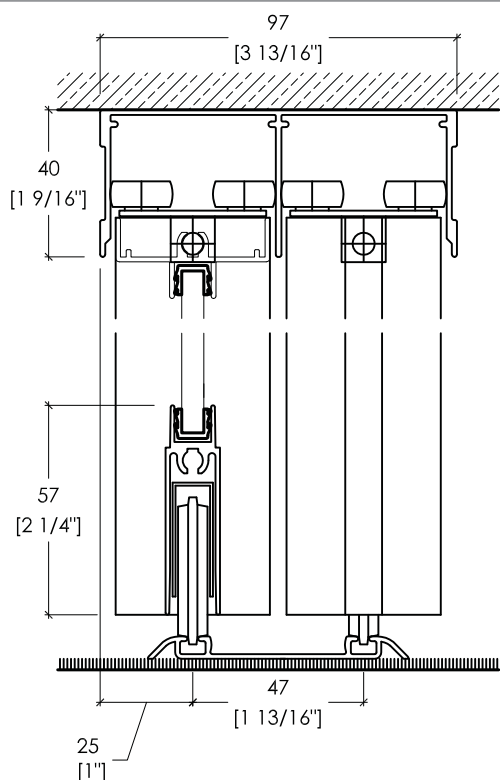
Door

- 3_ Top roller (2)
- 4_ Top rail (1)
- 5_ Stile (2)
- 6_ Frame screw (4)
- 7_ Plug / cover (4)
- 8_ Brush gasket (1 stile only)
- 9_ Panel (1)
- 10_ Panel gasket (all sides of panel)
- 11_ Bottom rail (1)
- 12_ Height adjustment screw (2)
- 13_ Bottom roller (2)

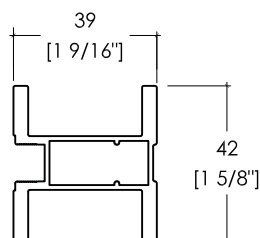
Bottom track

- 14_ Bottom track (varies by order)
- 15_ Inset cover (varies by order)
- 16_ Reinforcement plate * not shown

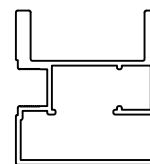
S3000 Section and stile detail



Symmetrical



Asymmetrical



S3000 Stile

Finish

Standard: Clear anodized aluminum (silver)

Application

Residential / commercial projects
Room dividers or passage doors

Dimensions

Max size 1829mm x 3048mm [6' x 10']

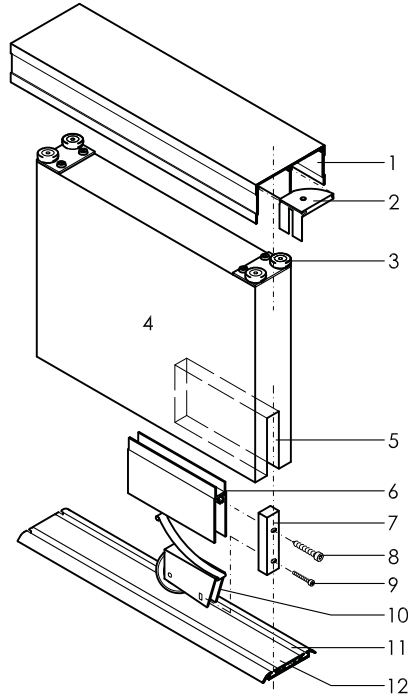
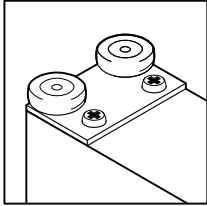
Max weight 180kg [390lbs]

Panel thickness 4mm [3/16"] to 10mm [3/8"] * 10mm no gasket

SYSTEM DESCRIPTION_ S42

SLIDING DOOR SYSTEM

2.3_ S42 Solid door hardware isometric view



Each sliding door is composed of the following:

Top track

- 1_ Top track (varies by order)
- 2_ Positioning for top track (2)

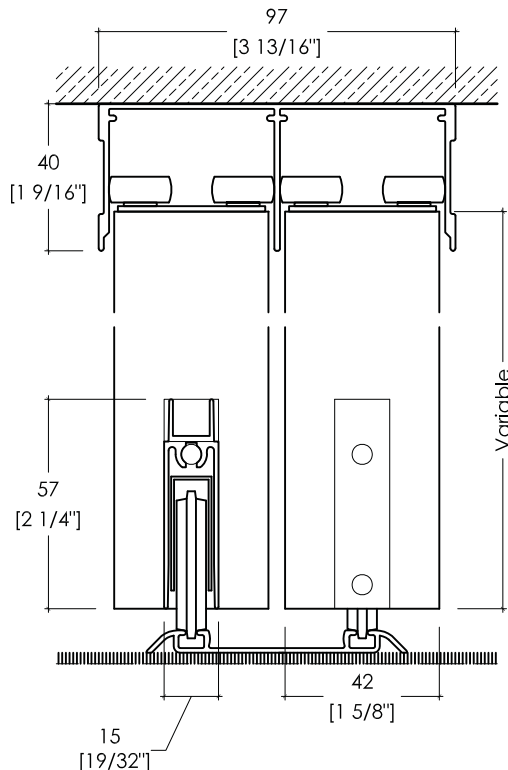
Door

- 3_ Top roller (2)
- 4_ (Material by others)
- 5_ (Cut out for Bottom rail and Connector, both sides)
- 6_ Bottom rail insert (2)
- 7_ Bottom roller connector (2)
- 8_ Frame screw (2)
- 9_ Height adjustment screw (2)
- 10_ Bottom roller (2)

Bottom track

- 11_ Bottom track (varies by order)
- 12_ Inset cover (varies by order)

S42 Solid door hardware section and stile detail



S42 Solid door hardware

Finish

Standard: Clear anodized aluminum (silver)

Application

Residential / commercial projects
Room dividers or passage doors

Dimensions

Max weight 180kg [390lbs]
Panel thickness min 38mm [1 1/2\"], max 42mm [1 5/8\"]

Included in hardware set (one door)

(2) top rollers, (2) bottom rollers, (2) bottom rail inserts (4" minimum), (2) bottom roller connectors, (2) height adjustment screws, (2) frame screws, (2) positioning for top track
*Top and bottom tracks sold separately

SYSTEM DESCRIPTION_ S42

FIXED PANEL SYSTEM

3.1_ Overview

The key features of our made-to-measure system are versatility in customization and quality of our hardware allowing for individual solutions and unparalleled operation. The S42 fixed panel system is ideal for applications in commercial environments.

Fixed panels can be ordered fully assembled with our standard panel materials or as frame kits to accommodate a panel material of your choosing. Assembly of fixed panel with customer's own materials (COM) is available; please contact Raumplus for more information.

3.2_ Fully assembled panel

Made-to-measure per specifications with the following design parameters:

- _ Maximum height 3048mm [10'-0"]
- _ Maximum width 1829mm [6'- 0"]
- _ Maximum weight 180kg [390lbs]
- _ Standard finish: Clear anodized aluminum (silver)
- _ Top / bottom tracks shipped 50mm [2"] over-length for trimming on-site

System components (quantity per panel):

Top track

- 1_ Top track (varies by order)

Fixed panel

- 2_ Top rail (1)
- 3_ Stile (2)
- 4_ Frame screw (4)
- 5_ Plug / cover (4)
- 6_ Panel (1)
- 7_ Panel gasket (all sides of panel)
- 8_ Bottom rail (1)
- 9_ Ground cover profile + ground cover profile (1 each)

3.3_ Frame kit

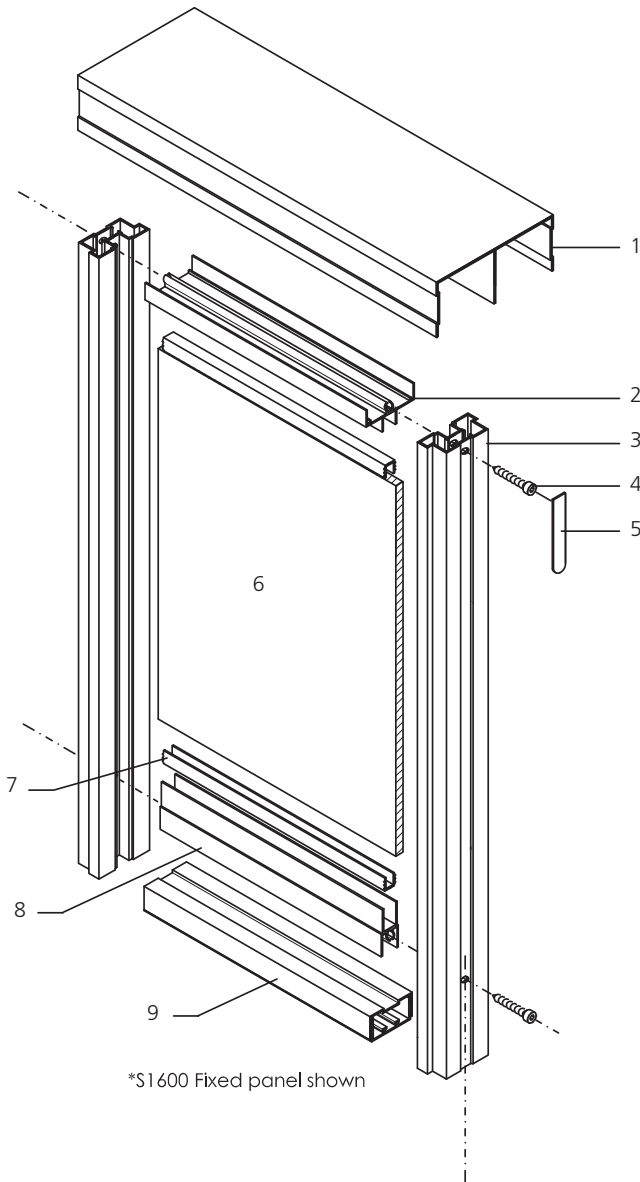
Frame kits are made-to-measure per specifications and ready for assembly using customer's own panel material. In addition to the design parameters listed for fully assembled fixed panel, please consider the following:

- _ Minimum panel thickness 4mm [5/32"]
- _ Maximum glass thickness 8mm [5/16"]
- _ Maximum solid panel thickness 10mm [3/8"]

Appropriate panel gasket to be specified when ordering:

- _ 4mm [5/32"]
- _ 5mm [3/16"]
- _ 6mm [1/4"]
- _ 7mm [9/32"]
- _ 8mm [5/16"]

*Gasket not required for solid 10mm [3/8"] material



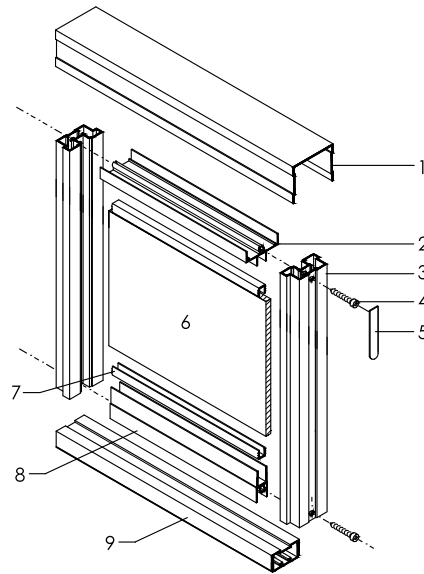
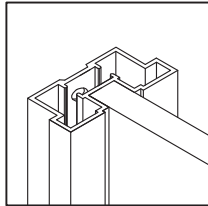
*S1600 Fixed panel shown

SYSTEM DESCRIPTION_ S42

FIXED PANEL SYSTEM

4_ Profiles

4.1_ S1600 Isometric view



Each fixed panel is composed of the following:

Top track

1_ Top track (varies by order)

Fixed panel

2_ Top rail (1)

3_ Stile (2)

4_ Frame screw (4)

5_ Plug / cover (4)

6_ Panel (1)

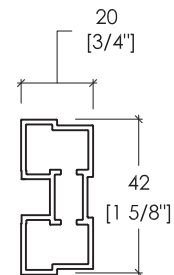
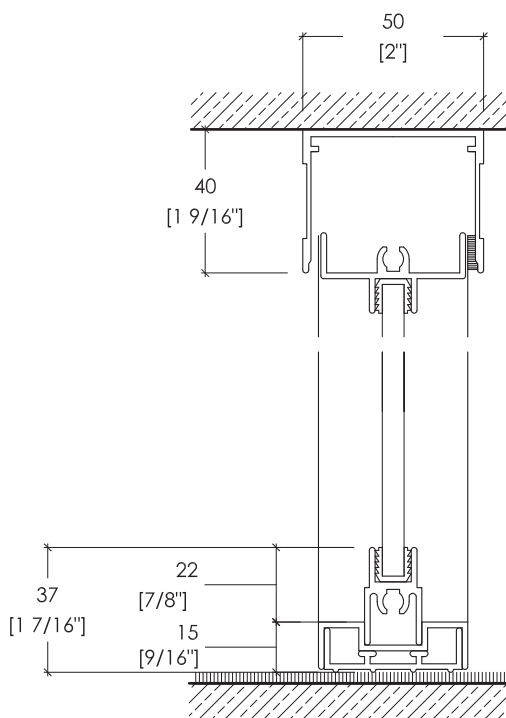
7_ Panel gasket (all sides of panel)

8_ Bottom rail (1)

9_ Ground cover profile + ground cover profile (1 each)

10_ Shims, not shown (6)

S1600 Section and stile detail



S1600 Stile

Finish

Standard: Clear anodized aluminum (silver)

Application

Residential / commercial projects

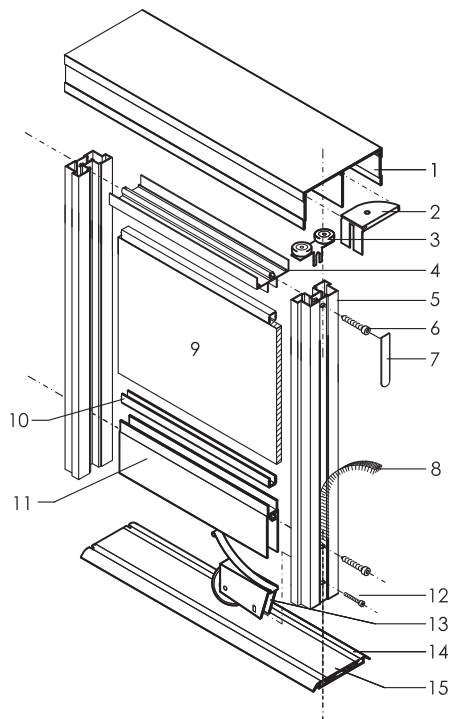
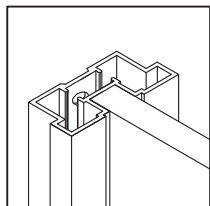
Dimensions

Max size 1829mm x 3048mm [6' x 10']

Max weight 180kg [390lbs]

Panel thickness 4mm [3/16"] to 10mm [3/8"] *10mm no gasket

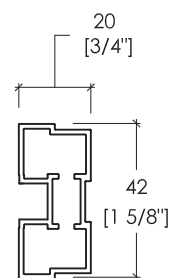
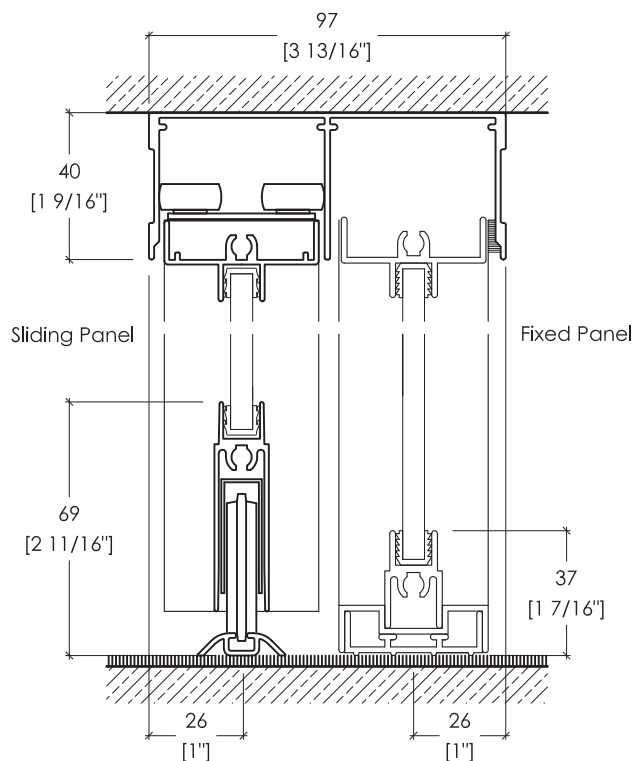
4.2_ S1600 Isometric view



Each sliding door is composed of the following:

- Top track**
- 1_ Top track (varies by order)
- 2_ Positioning for top track (2)
- Door**
- 3_ Top roller (2)
- 4_ Top rail (1)
- 5_ Stile (2)
- 6_ Frame screw (4)
- 7_ Plug / cover (4)
- 8_ Brush gasket (1 stile only)
- 9_ Panel (1)
- 10_ Panel gasket (all sides of panel)
- 11_ Bottom rail (1)
- 12_ Height adjustment screw (2)
- 13_ Bottom roller (2)
- Bottom track**
- 14_ Bottom track (varies by order)
- 15_ Inset cover (varies by order)

S1600 Section and stile detail



S1600 Stile

Finish

Standard: Clear anodized aluminum (silver)

Application

Residential / commercial projects
Room dividers or passage doors

Dimensions

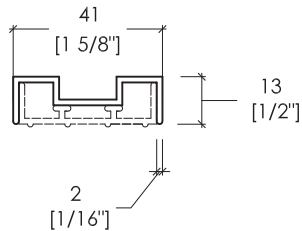
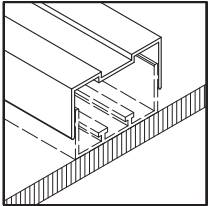
Max size 1829mm x 3048mm [6' x 10'] (fixed panel)
Max weight 180kg [390lbs]
Panel thickness 4mm [3/16"] to 10mm [3/8"] *10mm no gasket

SYSTEM DESCRIPTION_ S42

FIXED PANEL SYSTEM

5_ Accessories / S1600

5.1_ S42 / S1600 Ground cover



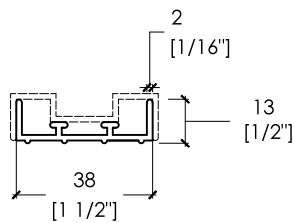
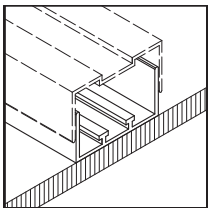
13.26.020

S1600 Ground cover

Finish
Standard

Description
Adjustable base for S1600 fixed panel.
Use in combination with ground connection profile.
Max length 4877mm [16'-0"]

5.2_ S42 / S1600 Ground connection



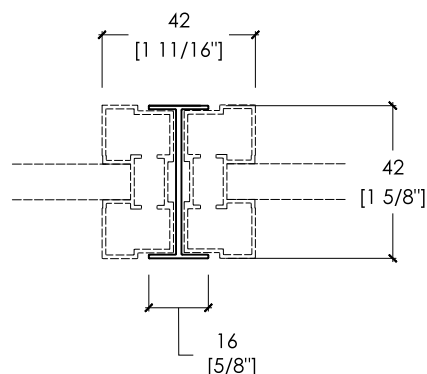
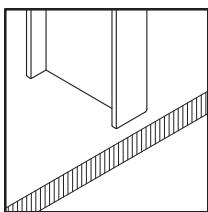
13.25.020

S1600 Ground connection profile

Finish
Standard

Description
Adjustable base for S1600 fixed panel. Use in combination with ground cover.
Max length 4877mm [16'-0"]

5.3_ S42 / S1600 Combi profile



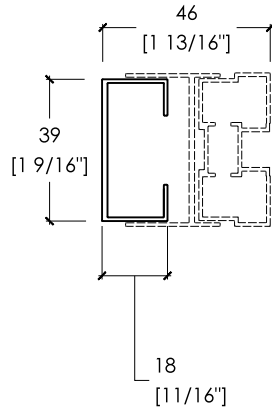
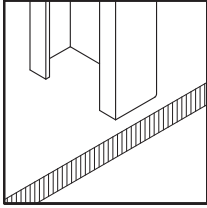
13.47.020

S1600 Combi profile

Finish
Standard

Description
Use to connect two S1600 fixed panels.
Max length 4877mm [16'-0"]

5.4_ S42 / S1600 Wall connection profile



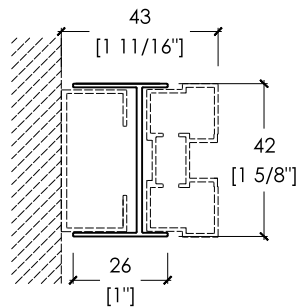
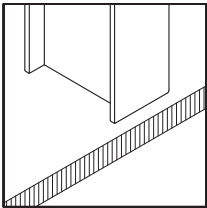
13.43.020

S1600 Wall connection profile

Finish
Standard

Description
Use to connect fixed panel to wall.
Use in conjunction with wall combi profile.
Max length 4877mm [16'-0"]

5.5_ S42 / S1600 Wall combi profile



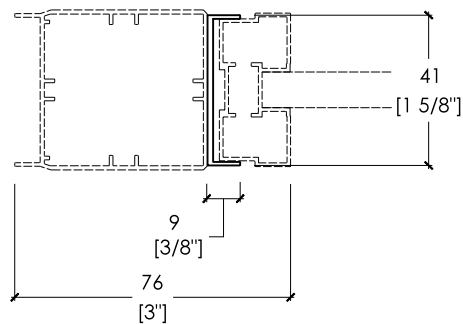
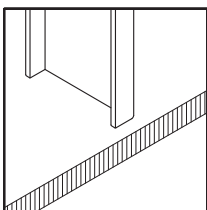
13.49.020

S1600 Wall combi profile

Finish
Standard

Description
Use with wall connection profile to connect panel to wall connection.
Max length 4877mm [16'-0"]
*Provides 13mm [1/2"] vertical adjustment

5.6_ S42 / S1600 Cover for corner profile



13.48.020

S1600 Cover for corner profile

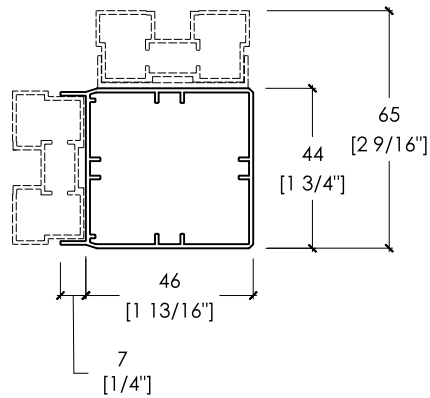
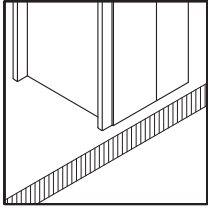
Finish
Standard

Description
Use in combination with corner post for multiple direction fixed panels.
Max length 4887mm [16'-0"]

SYSTEM DESCRIPTION_ S42

FIXED PANEL SYSTEM

5.7_ S42 / S1600 Corner profile



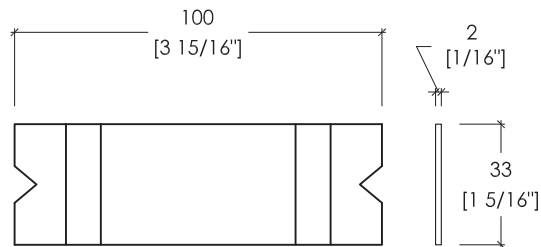
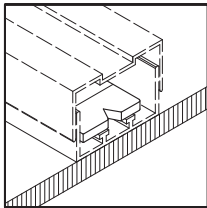
13.46.020

S1600 Corner profile

Finish
Standard

Description
Use as a corner post.
Max length 4877mm [16'-0"]

5.8_ S42 / S1600 Shim



10.11.001 / 002 / 003

S1600 Shim

Finish
Plastic

Description
Use to level fixed panel. Use in conjunction with 13.26.020 and 13.25.020
Shims available in:
1mm [1/16"]
2mm [3/32"]
3mm [1/8"]

6_ Profile finishes

6.1_ Standard finish _ Clear anodized aluminum (silver)

A factory applied finish, anodizing increases wear resistance and gives the surface a smooth matte aluminum appearance. Color for representation purposes only.

| | | | | |
|---|--|--|--|--|
|  | | | | |
| Standard finish Clear anodized (silver) | | | | |

SYSTEM DESCRIPTION_ S42

SLIDING DOOR SYSTEM

7_ Panels

7.1_ MDF

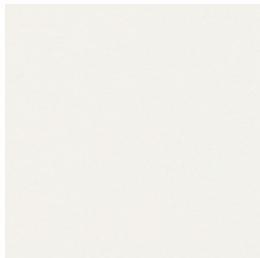
Medium density fiberboard (MDF) is an engineered wood product made of wood fibers, wax and resin. MDF is an ideal surface for painting, application of direct glue wall-covering, or a base for upholstered panels. Maximum size 1219mm x 2438mm [4'-0" x 8'-0"]. Colors for representation purposes only.



MDF
6mm [1/4"]

7.2_ Decor

Melamine Décor is a thin single melamine paper bonded to particle board; this is also referred to as direct pressure laminate. Maximum size 1219mm x 2438mm [4'-0" x 8'-0"]. Single-sided only. Colors for representation purposes only.



White
6mm [1/4"]

7.3_ Magnetic marker board

Double-sided magnetic marker board is a white dry erase board. Maximum size 914mm x 2134mm [3'-0" x 7'-0"]. Colors for representation purposes only.



6mm [1/4"]

7.4_ Plastic laminate

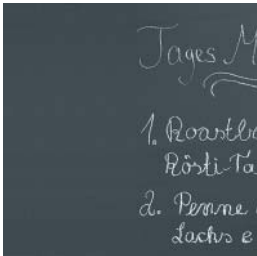
Plastic laminate is made from layers of resin-impregnated paper topped with a decorative melamine surface, and then pressed into sheets under extreme pressure and heat. Panels when mounted to a MDF core are approximately 3/8" thick. Manufacturers include, but are not limited to: Abet Laminati, Formica, Lamin-Art, Nevamar, Pionite and Wilsonart. Maximum size 1219mm x 2438mm (4'-0" x 8'-0") Available single- and double-sided. Colors for representation purposes only.



8mm [5/16"]

7.5_ Chalk board

Single-sided black chalk board. Maximum size 1219mm x 2438mm [4'-0" x 8'-0"]. Single-sided only. Colors for representation purposes only.



6mm [1/4"]

SYSTEM DESCRIPTION_ S42

SLIDING DOOR SYSTEM


7.6_ Veneer

Vertical grain wood veneer panels are available single or double-sided and comprised of engineered wood. Maximum size 1219mm x 2438mm [4'-0" x 8'-0"]. Colors for representation purposes only. All panels have a satin clear-coat finish.

| | | | | |
|--|--|--|---|---|
|  |  |  |  |  |
| Quarter cut maple VE-QM-001 8mm [5/16"] | Quarter cut golden teak VE-QGT-001 8mm [5/16"] | Quarter cut zebrano VE-Q2-001 8mm [5/16"] | Quarter cut white oak VE-QW0-001 8mm [5/16"] | Flat cut cherry VE-FC-001 8mm [5/16"] |
|  |  |  |  | |
| Quarter cut wenge VE-QW-001 8mm [5/16"] | Quarter cut teak VE-QT-001 8mm [5/16"] | Ribbon sapele VE-RS-001 8mm [5/16"] | Quarter cut dark walnut VE-QDW-001 8mm [5/16"] | |



7.7_ Laminated glass

Laminated glass, often referred to as "safety glass", is strong and durable and designed to maintain its integrity in the event of breakage. Maximum size 1829mm x 3048mm [6' x 10']. *Polar white maximum size 1525mm x 3048mm [5' x 10']. Colors for representational purposes only.

| | | | | |
|---|---|---|--|---|
|  |  |  |  |  |
| Clear 6mm [1/4"] | Cool white 6mm [1/4"] | Diffused white 6mm [1/4"] | Polar white* 6mm [1/4"] | Grey 6mm [1/4"] |

7.8_ Tempered glass

Tempered glass is manufactured to exact size and is stronger than regular glass. If broken the glass shatters into small fragments instead of sharp shards. Maximum size 1524mm x 2438mm [5'-0" x 8'-0"]. Colors for representation purposes only.

| | | | | |
|--|--|--|--|--|
|  |  | | | |
| Clear 6mm [1/4"] | Satin etched 6mm [1/4"] | | | |

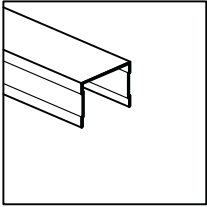
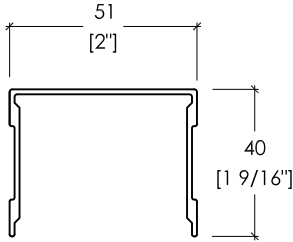
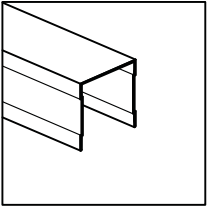
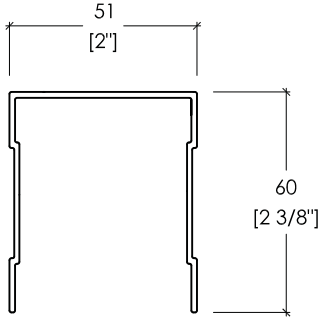
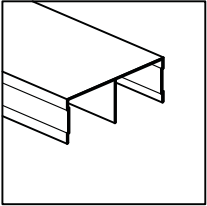
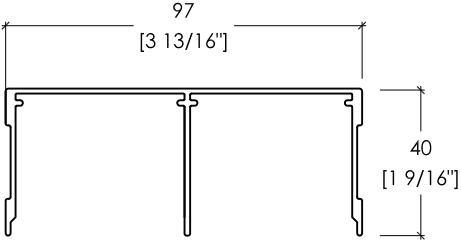
7.9_ Mirrored glass

Silver mirror backed with a safety film. Single-sided mirror only, best used for closets. Maximum size 1219mm x 3048mm [4'-0" x 10'-0"]. Colors for representation purposes only.

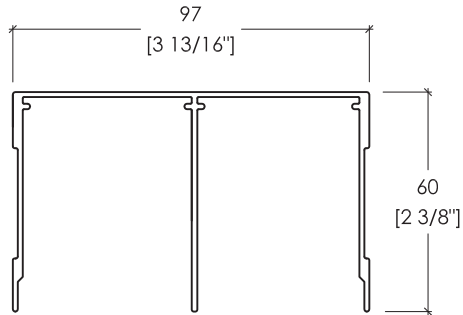
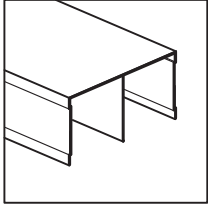
| | | | | |
|---|--|--|--|--|
|  | | | | |
| Mirror 4mm [5/32"] | | | | |

SYSTEM DESCRIPTION_ S42

SLIDING DOOR SYSTEM

| 8_ Top tracks | |
|---|--|
| 8.1_ S42 Single top track | |
|   | <p>14.15.020</p> <p>S42 Single top track</p> <p>Finish Standard</p> <p>Description Ceiling- or wall-mounted (add wall-mounted bracket and wall-mounted end caps) Max length 4877mm [16'-0"]</p> |
| 8.2_ S42 Single top track, 60mm | |
|   | <p>14.65.020</p> <p>S42 Single top track, 60mm</p> <p>Finish Standard</p> <p>Description Ceiling- or wall-mounted (add wall-mounted bracket) Max length 4877mm [16'-0"] Use when extra adjustability is needed *No end cap available</p> |
| 8.3_ S42 Double top track | |
|   | <p>14.05.020</p> <p>S42 Double top track</p> <p>Finish Standard</p> <p>Description Ceiling-mounted only Max length 4877mm [16'-0"]</p> |

8.4_ S42 Double top track, 60mm



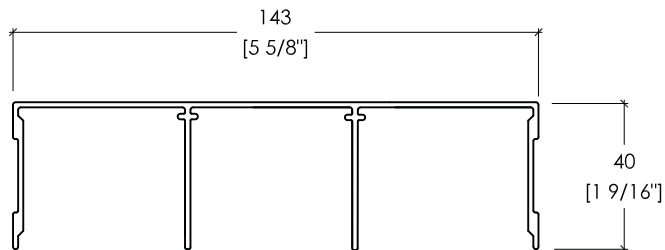
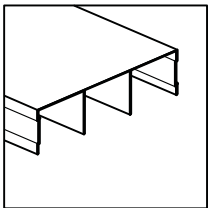
14.85.020

S42 Double top track, 60mm

Finish
Standard

Description
Ceiling-mounted only
Max length 4877mm [16'-0"]
Use when extra adjustability is needed
*No end cap available

8.5_ S42 Triple top track



14.35.020

S42 Triple top track

Finish
Standard

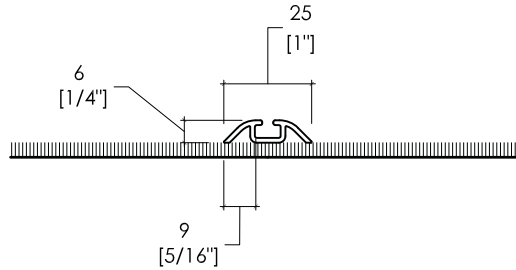
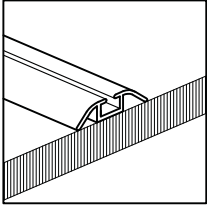
Description
Ceiling-mounted only
Max length 4877mm [16'-0"]

SYSTEM DESCRIPTION_ S42

SLIDING DOOR SYSTEM

9_ Bottom tracks

9.1_ S42 Single surface-mounted bottom track



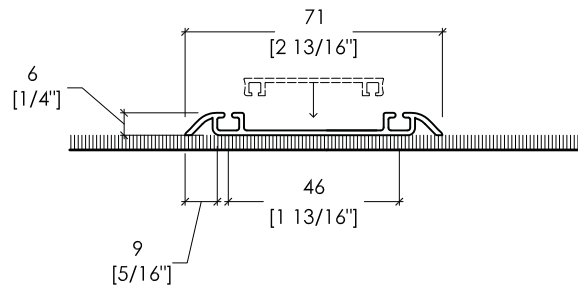
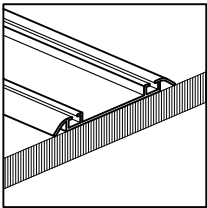
14.56.020

S42 Single surface-mounted bottom track

Finish
Standard

Description
Provided with adhesive backing
Max length 4877mm [16'-0"]
*ADA compliant, verify with local jurisdictions

9.2_ S42 Double surface-mounted bottom track



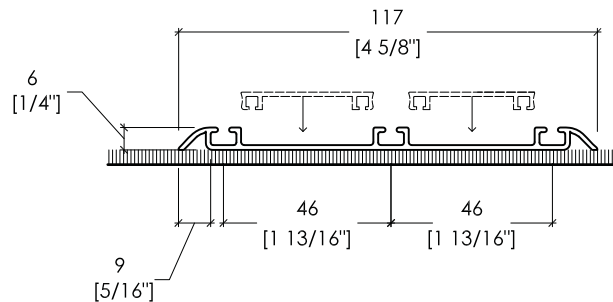
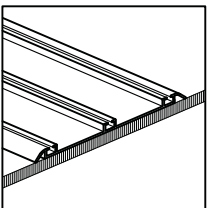
14.06.020

S42 Double surface-mounted bottom track

Finish
Standard

Description
Provided with adhesive backing
Inset cover sold separately
Max length 4877mm [16'-0"]
*ADA compliant, verify with local jurisdictions

9.3_ S42 Triple surface-mounted bottom track



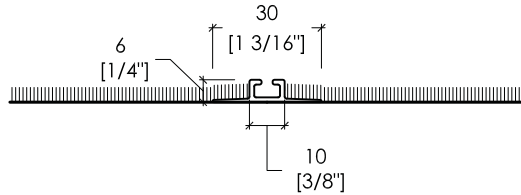
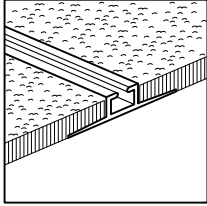
14.33.020

S42 Triple surface-mounted bottom track

Finish
Standard

Description
Provided with adhesive backing
Inset covers sold separately
Max length 4877mm [16'-0"]
*ADA compliant, verify with local jurisdictions

9.4_ S42 Single carpet bottom track



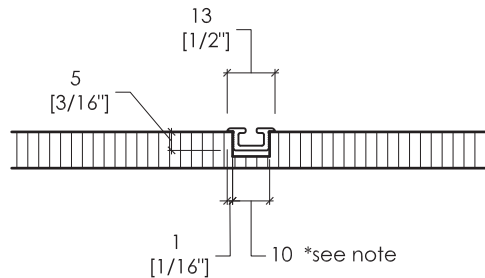
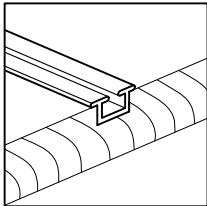
14.46.020

S42 Single carpet bottom track

Finish
Standard

Description
Provided with adhesive backing
Max length 4877mm [16'-0"]
*ADA compliant, verify with local jurisdictions

9.5_ S42 Single insert bottom track



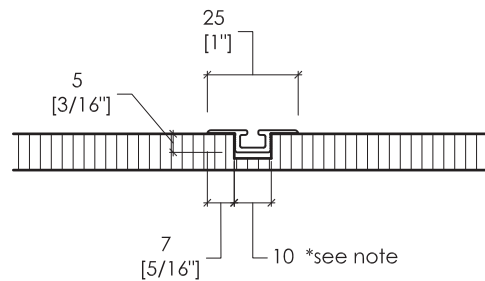
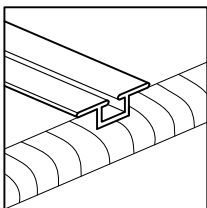
14.76.020

S42 Single insert bottom track

Finish
Standard

Description
Max length 4877mm [16'-0"]
*Use 10mm router bit
*ADA compliant, verify with local jurisdictions

9.6_ S42 Single insert bottom track, 25mm



14.49.020

S42 Single insert bottom track, 25mm

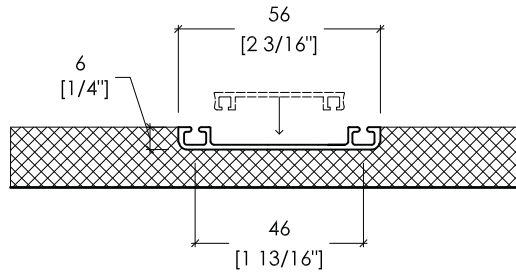
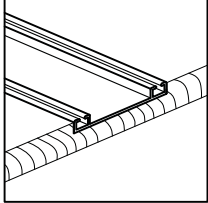
Finish
Standard

Description
Max length 4877mm [16'-0"]
*Use 10mm router bit
*ADA compliant, verify with local jurisdictions

SYSTEM DESCRIPTION_ S42

SLIDING DOOR SYSTEM

9.7_ S42 Double insert bottom track



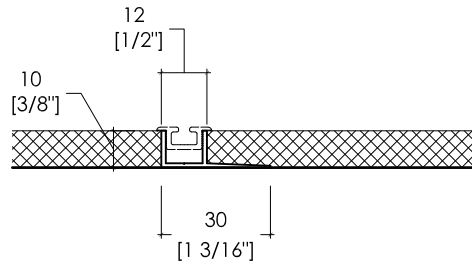
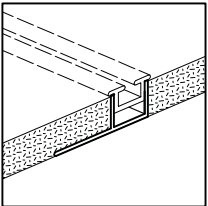
14.66.020

S42 Double insert bottom track

Finish
Standard

Description
Inset cover sold separately
Max length 4877mm [16'-0"]
*ADA compliant, verify with local jurisdictions

9.8_ S42 Tile channel



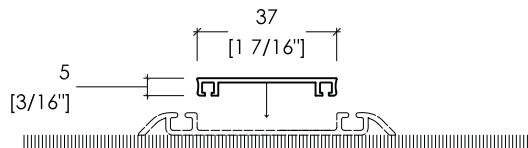
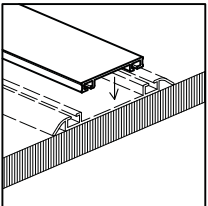
14.77.010

S42 Tile channel

Finish
Raw aluminum

Description
Use in conjunction with single insert track for tile or carpeted surfaces
Max length 4877mm [16'-0"]

9.9_ S42 Inset cover for bottom track



14.16.020

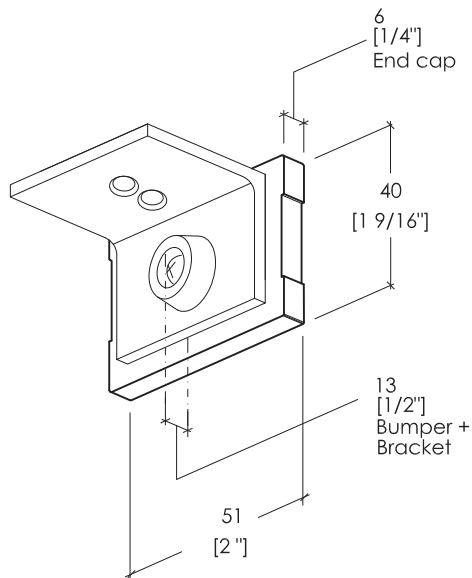
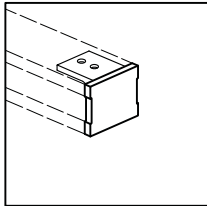
S42 Inset cover for bottom track

Finish
Standard

Description
Cover fits between double or triple tracks
Max length 4877mm [16'-0"]
*Flooring material may be substituted for cover

10_ Accessories

10.1_ S42 End cap for single top track / ceiling-mounted



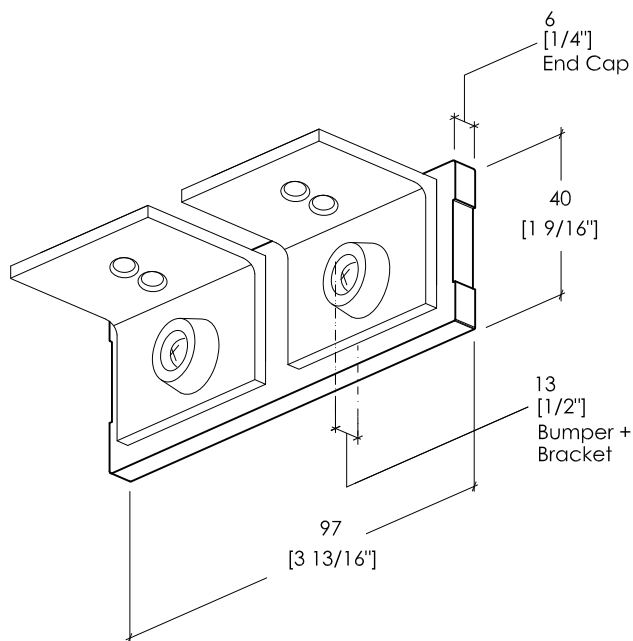
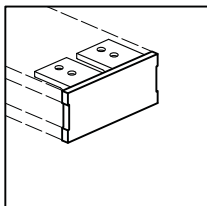
ACC-ES42-20-01

S42 End cap for single top track / ceiling-mounted

Finish
Standard

Description
For ceiling-mounted top tracks
Includes (1) single end cap (1) zinc bracket, (1) bumper, and (1) screw
Add 13mm [1/2 "] extra track when using end cap
Ceiling fasteners not included

10.2_ S42 End cap for double top track / ceiling-mounted



ACC-ES42-20-02

S42 End cap for double top track / ceiling-mounted

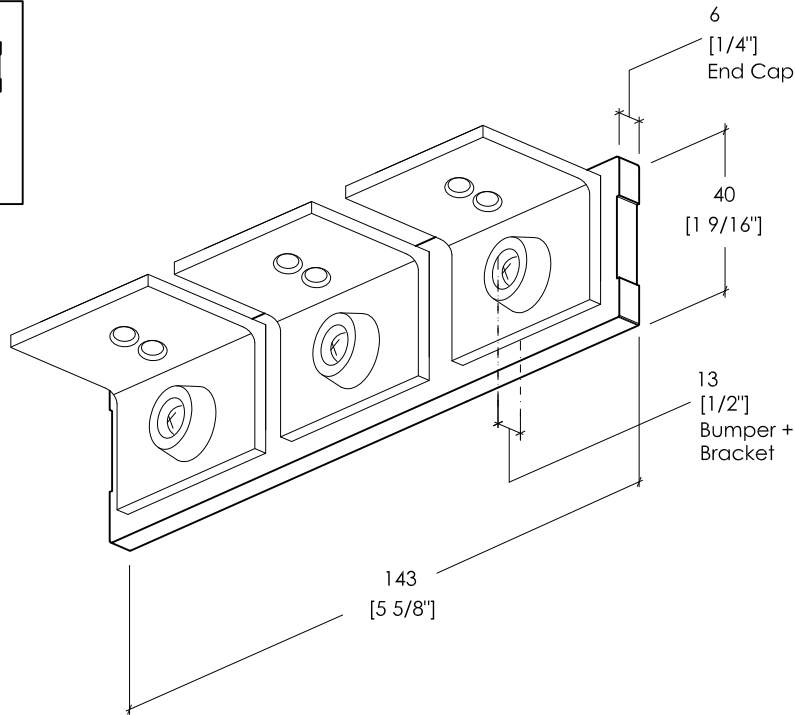
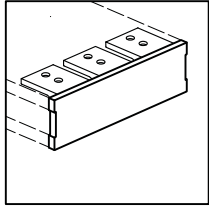
Finish
Standard

Description
For ceiling-mounted top tracks
Includes (1) double end cap, (2) zinc brackets, (2) bumpers, and (2) screws
Add 13mm [1/2 "] extra track when using end cap
Ceiling fasteners not included

SYSTEM DESCRIPTION_ S42

SLIDING DOOR SYSTEM

10.3_ S42 End cap for triple top track / ceiling-mounted



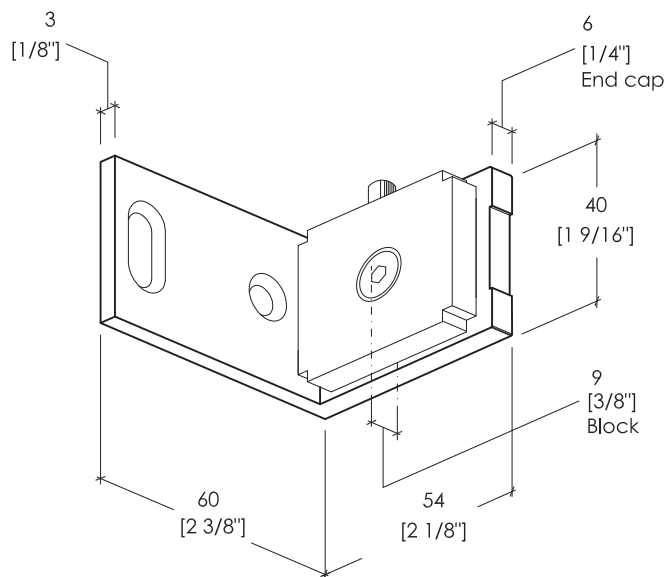
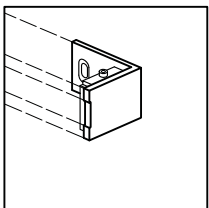
ACC-ES42-20-03

S42 End cap for triple top track / ceiling-mounted

Finish
Standard

Description
For ceiling-mounted top tracks
Includes (1) triple end cap (3) zinc brackets, (3) bumpers, and (3) screws
Add 13mm [1/2"] extra track when using end cap
Ceiling fasteners not included

10.4_ S42 End cap for single top track / wall-mounted

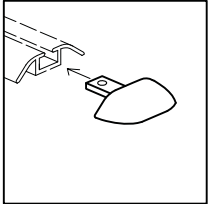
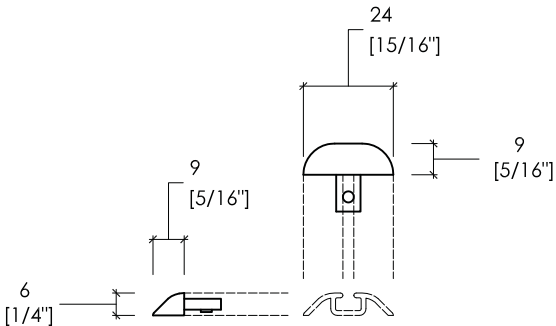
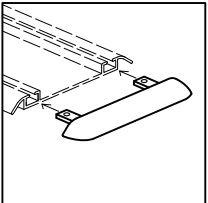
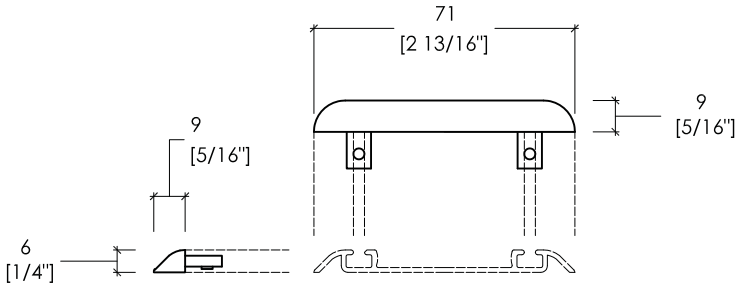
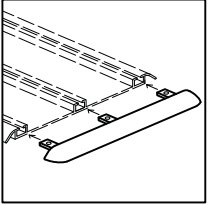
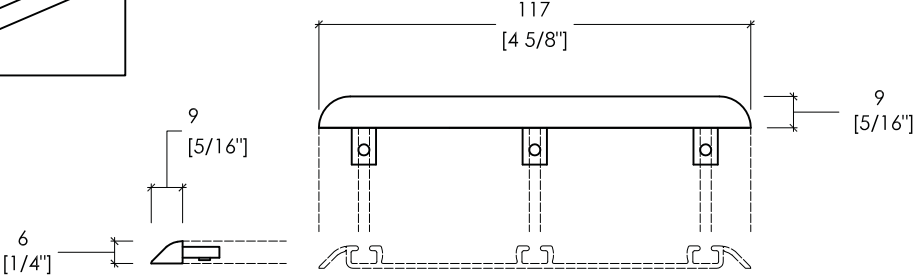


10.08.191

S42 End cap for single top track / wall-mounted

Finish
Standard

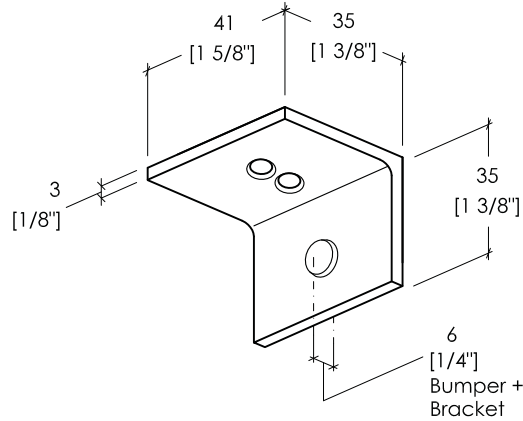
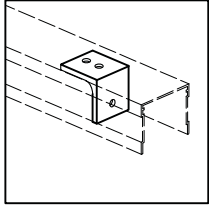
Description
For wall-mounted top tracks, (available for single top tracks only)
Includes (1) wall-mounted end cap, (1) stop block, (1) block-to-end cap screw, (1) block-to-top track screw
Add 9mm [3/8"] extra track when using end cap
Wall fasteners not included
*Interchangeable L and R

| 10.5_ S42 End cap for single surface-mounted bottom track | |
|--|---|
|  | <p>10.09.081</p> <p>S42 End cap for single surface-mounted bottom track</p> |
| | <p>Finish Standard</p> <p>Description Includes (1) single end cap, (1) set screw</p> |
|  | |
| 10.6_ S42 End cap for double surface-mounted bottom track | |
|  | <p>10.09.092</p> <p>S42 End cap for double surface-mounted bottom track</p> |
| | <p>Finish Standard</p> <p>Description Includes (1) double end cap, (2) set screws</p> |
|  | |
| 10.7_ S42 End cap for triple surface-mounted bottom track | |
|  | <p>10.09.093</p> <p>S42 End cap for triple surface-mounted bottom track</p> |
| | <p>Finish Standard</p> <p>Description Includes (1) triple end cap, (3) set screws</p> |
|  | |

SYSTEM DESCRIPTION_ S42

SLIDING DOOR SYSTEM

10.8_ S42 Stopper for top track



10.08.290

S42 Stopper for top track

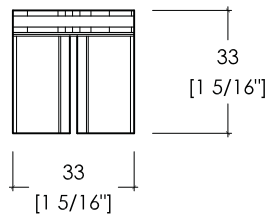
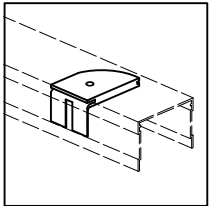
Finish

Zinc bracket

Description

Clear silicone bumper included
Ceiling fasteners not included

10.9_ S42 Positioning for top track



10.01.027

S42 Positioning for top track

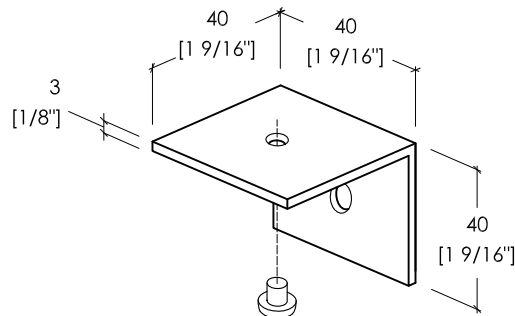
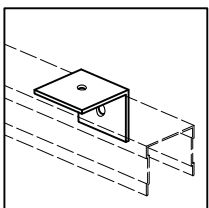
Finish

Clear plastic

Description

Holds door in desired location
along track

10.10_ L-bracket for wall-mounted top track



10.08.170

L-bracket for wall-mounted top track

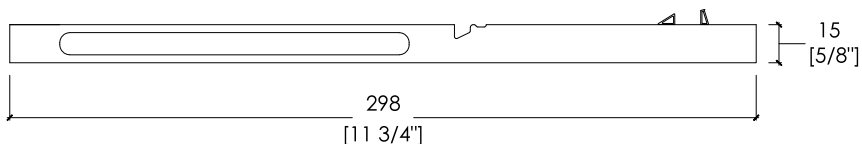
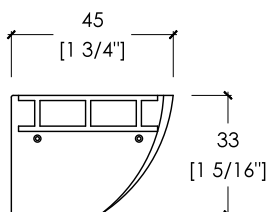
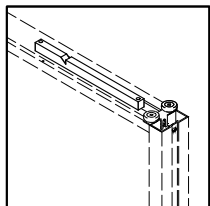
Finish

Standard

Description

Wall-mounted bracket for S42 top track (single track only)
Includes track-to-bracket screw
Wall fastener not included
Wall-mount for single doors only

10.11_ S42 Soft close brake



Brake

- 10.01.360** for 10-30kg [0-66lbs]
- 10.01.370** for 31-60kg [0-132lbs]
- 10.01.380** for 61-80kg [0-176lbs]

Positioning for top track

- 10.01.393** for 40mm top track
- 10.01.394** for 60mm top track

Soft close brake

Finish

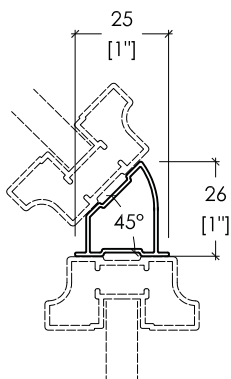
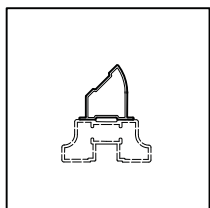
Black plastic / clear plastic

Description

Soft close dampening system for use on doors minimum 15-80 kg [22lbs to maximum 176lbs]

*Must use 60mm top track with soft close brake

10.12_ 45° Corner profile



14.07.020

45° Corner profile

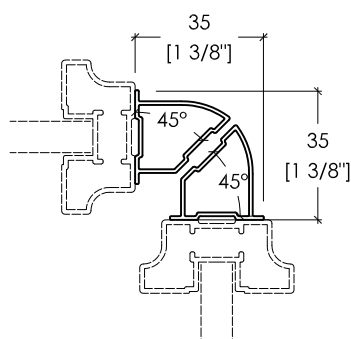
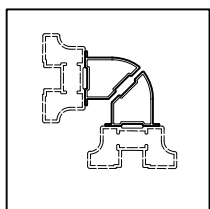
Finish

Standard

Description

Provided with adhesive backing

10.13_ 90° Corner profile



14.07.020

90° Corner profile

Finish

Standard

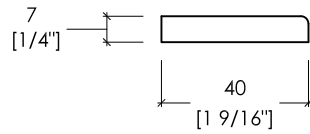
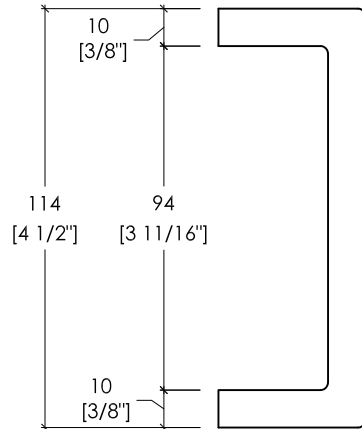
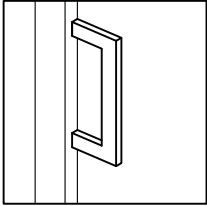
Description

Provided with adhesive backing
(2) 14.07.020

SYSTEM DESCRIPTION_ S42

SLIDING DOOR SYSTEM

10.14_ Half rectangle applied handle



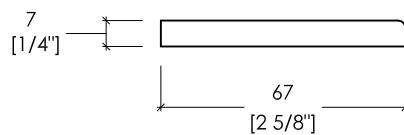
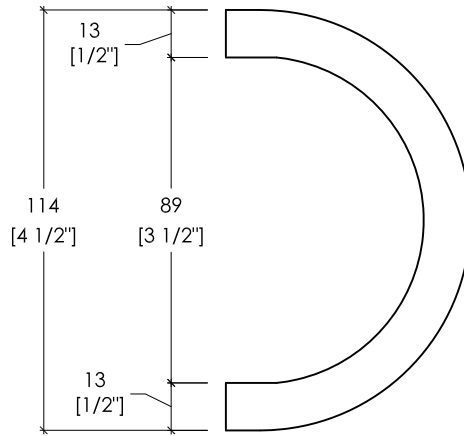
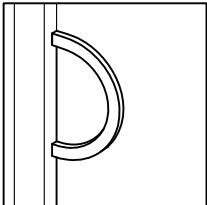
10.01.093

Half rectangle applied handle

Finish
Standard

Description
Provided with adhesive backing

10.15_ Half circle applied handle



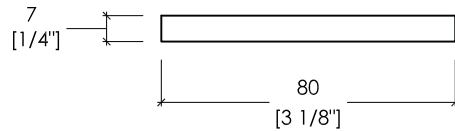
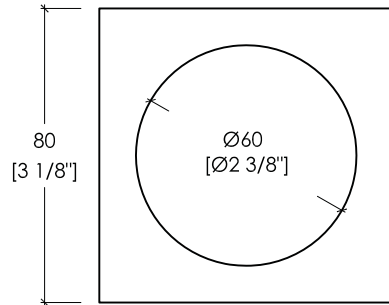
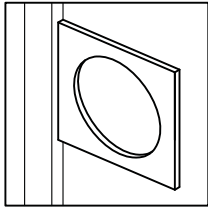
10.01.094

Half circle applied handle

Finish
Standard

Description
Provided with adhesive backing

10.16_ Square with circle cut-out applied handle



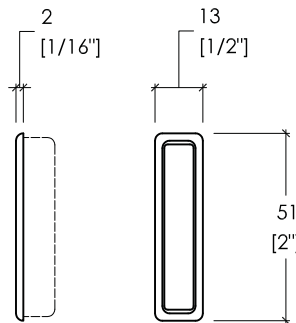
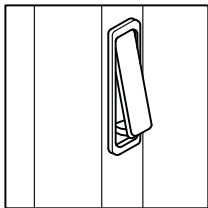
10.02.091

Square with circle cut-out applied handle

Finish
Standard

Description
Provided with adhesive backing which requires on-site trimming

10.17_ Pocket pull



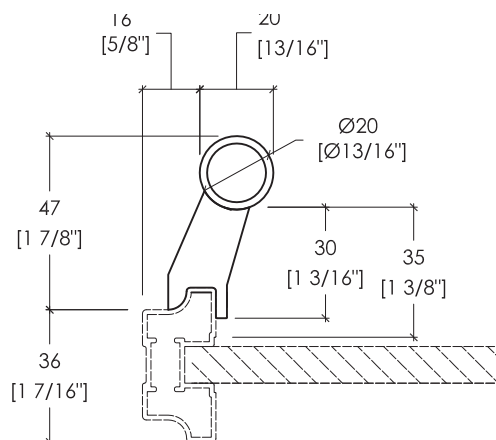
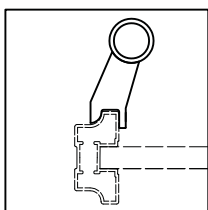
10.01.047

Pocket pull

Finish
Standard

Description
Used with pocket doors

10.18_ Rod handle for S1500



ACC-RDH-1500

Rod handle for S1500

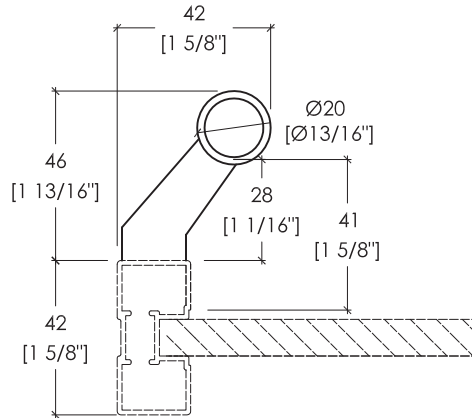
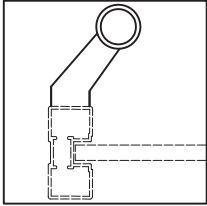
Finish
Standard

Description
Adds vertical rod handle to S1500
*Includes plastic silver end caps
*Available in 305mm [1'-0"] increments

SYSTEM DESCRIPTION_ S42

SLIDING DOOR SYSTEM

10.19_ Rod handle for S1500 Square



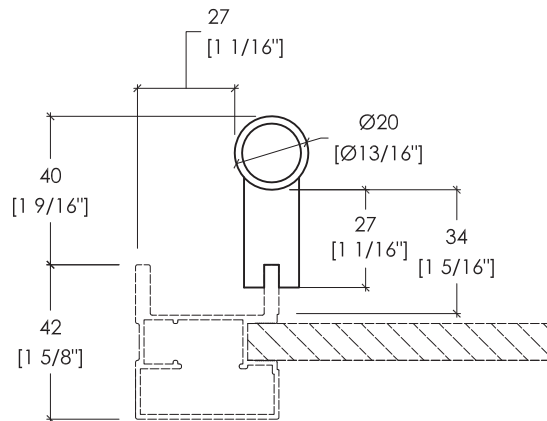
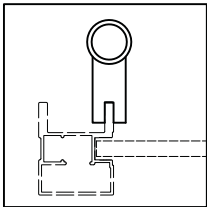
ACC-RDH-1500SQ

Rod handle for S1500 Square

Finish
Standard

Description
Adds vertical rod handle to S1500 square.
*Includes plastic silver end caps
*Available in 305mm [$1'-0$ "] increments

10.20_ Rod handle for S300 / S3000



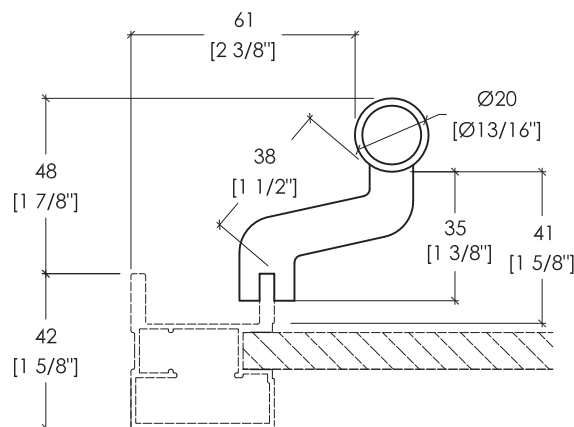
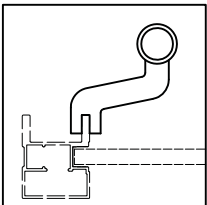
ACC-RDH-3000

Rod handle for S300 / S3000

Finish
Standard

Description
Adds vertical rod handle to S3000
*Includes plastic silver end caps
*Available in 305mm [$1'-0$ "] increments

10.21_ ADA handle for S300 / S3000



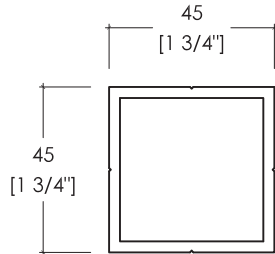
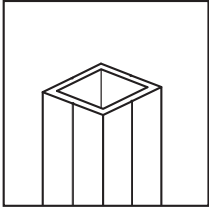
ACC-RDH-ADA

ADA handle for S300 / S3000

Finish
Standard

Description
ADA bracket with rod handle complies with ADA requirements for sliding door handles, verify with local jurisdictions
*Includes plastic silver end caps
*Available in 305mm [$1'-0$ "] increments

10.22_ Post



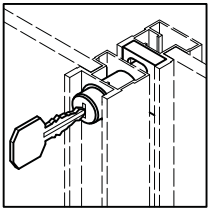
10.76.020

Post

Finish
Standard

Description
Non supporting. Use in conjunction with lock, corner or jamb.
Max length 3048mm [10'-0"]

10.23_ Frame



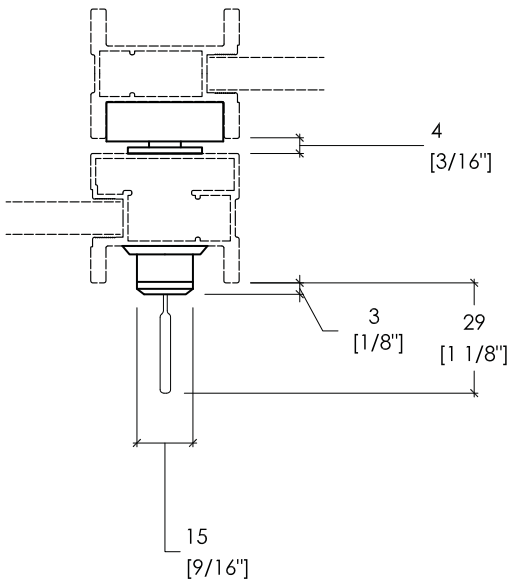
ACC-FLK-3000

Frame lock for S3000

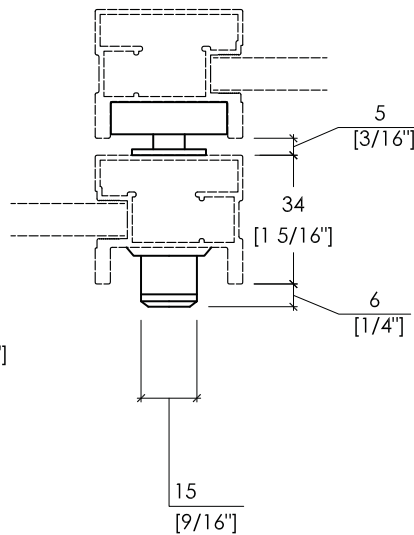
Finish
Standard

Description
Locks S300 asymmetrical stile to S300 stile of choice
Allows multiple panels to be locked together.
Specify symmetrical or asymmetrical for second stile
Includes S300 Lock plate (10.01.153)
Key cylinder is by ABUS.
Blank keys are available from raumplus.
Cylinders are not compatible with Schlage.
Locks not suitable for healthcare environments.
* Please check with local building code for egress

Symmetrical



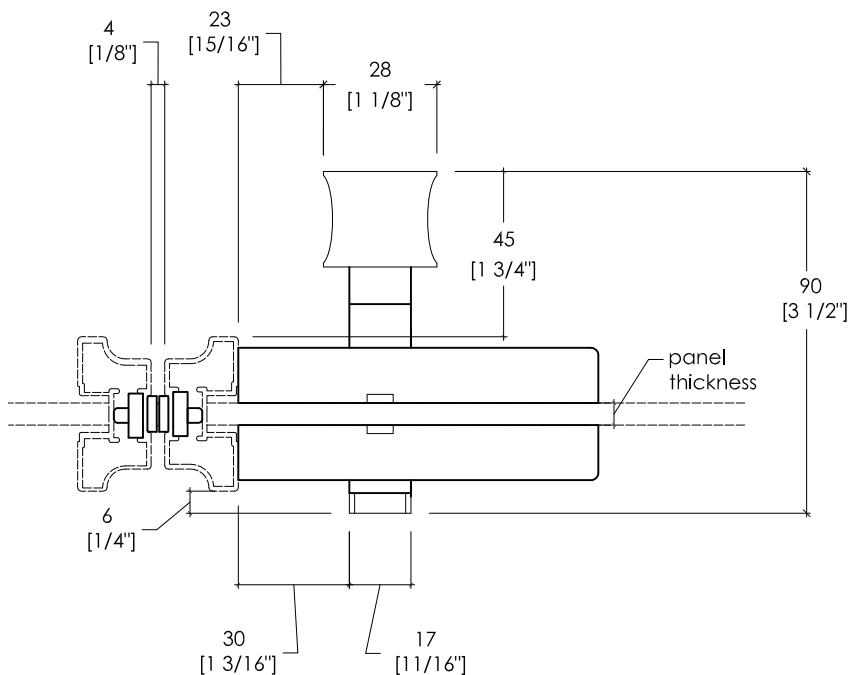
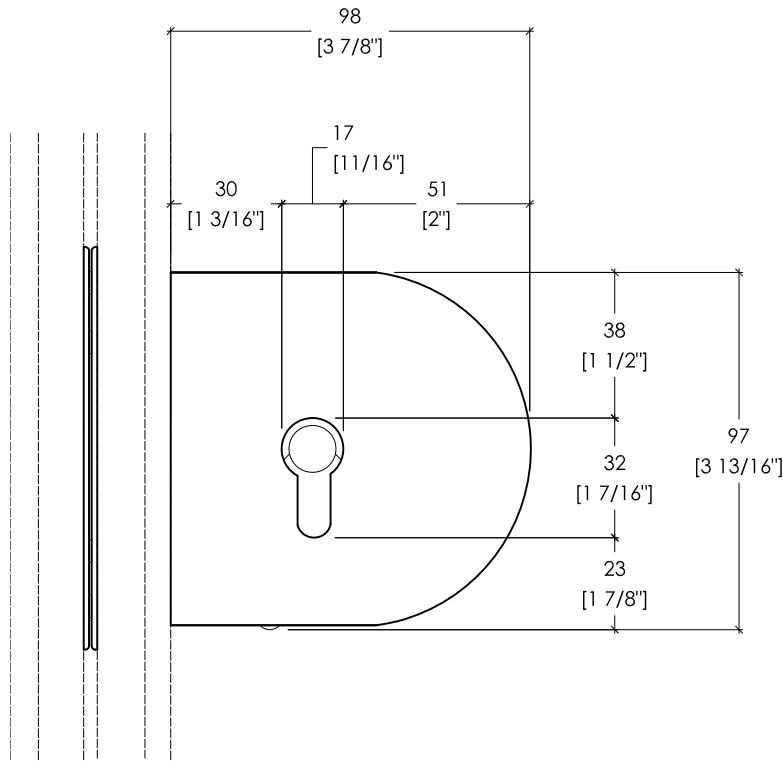
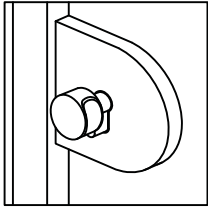
Asymmetrical



SYSTEM DESCRIPTION_ S42

SLIDING DOOR SYSTEM

10.24_ Panel Lock, thumb-turn for S1500



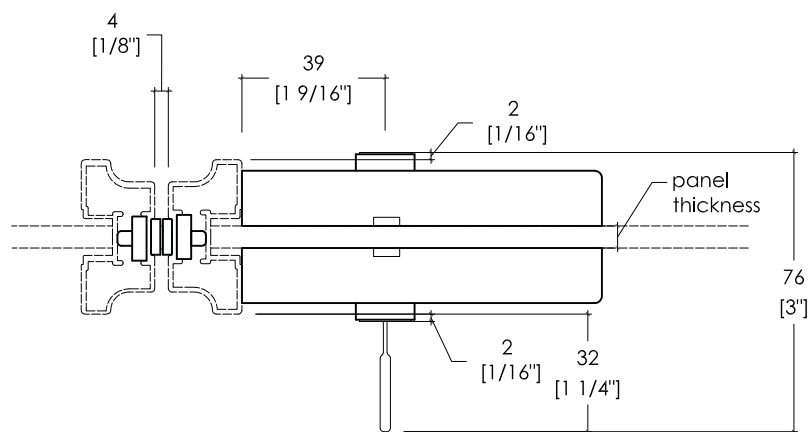
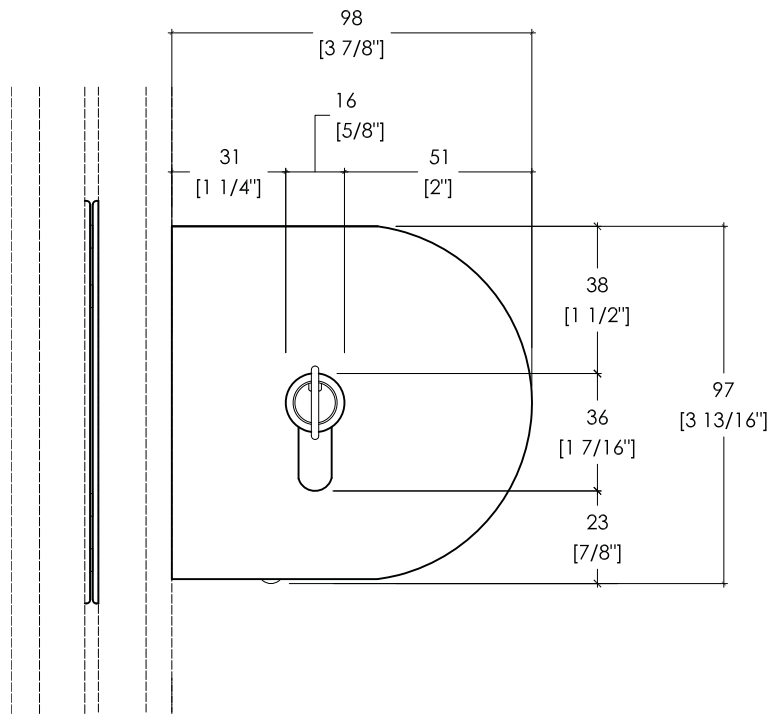
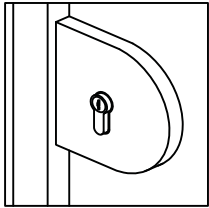
ACC-PLT-1500

Panel Lock for S1500

Finish
Standard

Description
Locks two panels together on the same track or one panel to jamb. Key cylinder is by ABUS. Blank keys are available from raumplus. Cylinders are not compatible with Schlage. Locks not suitable for healthcare environments. * Please check with local building code for egress

10.25_ Panel Lock, key-lock for S1500



ACC-PLK-1500

Panel Lock for S1500

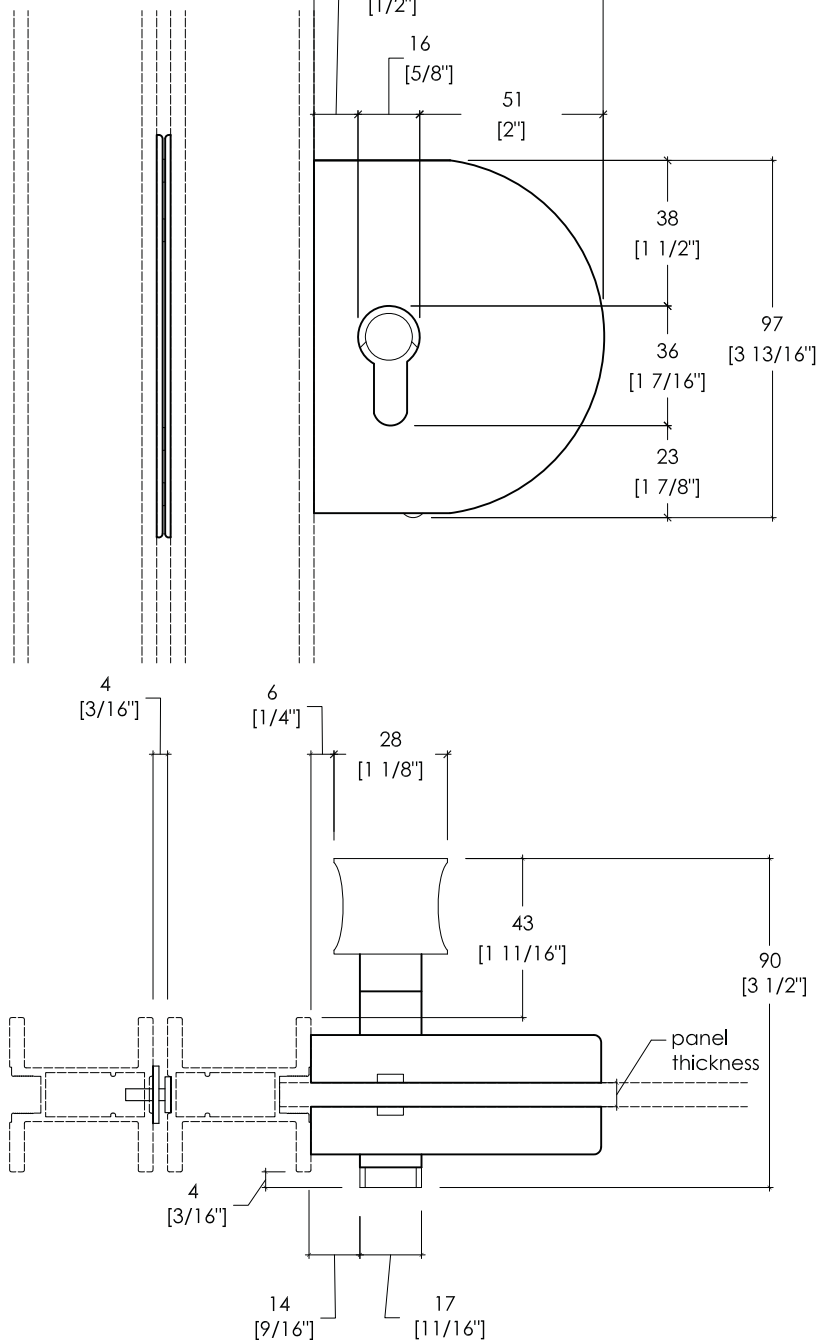
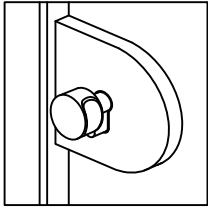
Finish
Standard

Description
Locks two panels together on the same track or one panel to jamb. Key cylinder is by ABUS. Blank keys are available from raumplus. Cylinders are not compatible with Schlage. Locks not suitable for healthcare environments. * Please check with local building code for egress

SYSTEM DESCRIPTION_ S42

SLIDING DOOR SYSTEM

10.26_ Panel Lock, thumb-turn for S3000



ACC-PLT-3000

Panel Lock for S3000

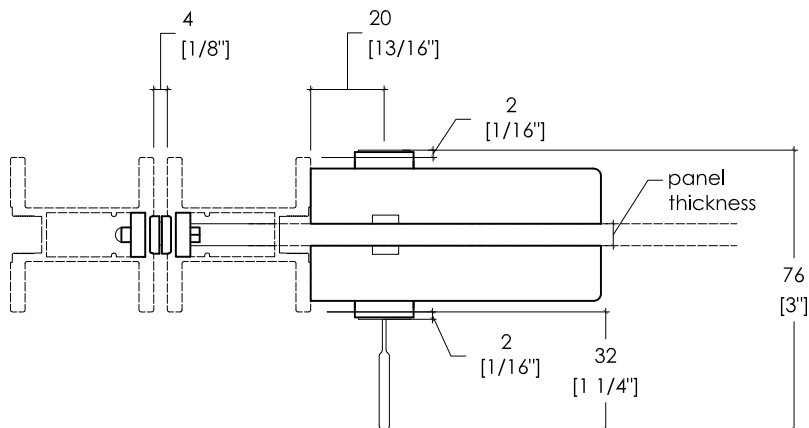
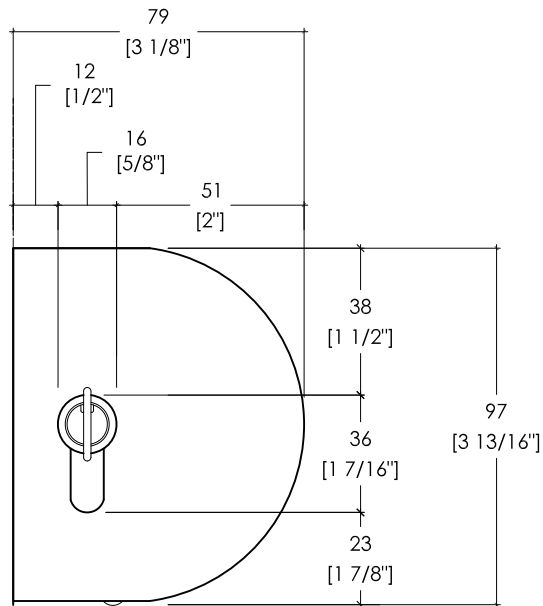
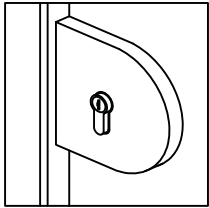
Finish

Standard

Description

Locks two panels together on the same track or one panel to jamb. Key cylinder is by ABUS. Blank keys are available from raumplus. Cylinders are not compatible with Schlage. Locks not suitable for healthcare environments. * Please check with local building code for egress

10.27_ Panel Lock, key-lock for S3000



ACC-PLK-3000

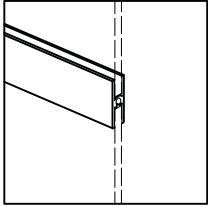
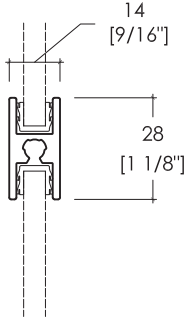
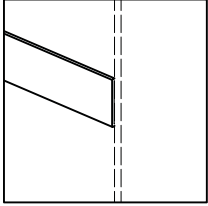
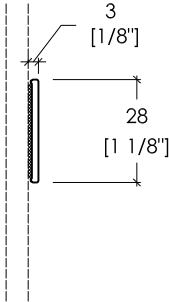
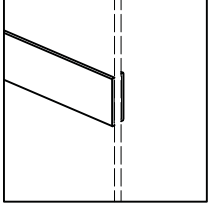
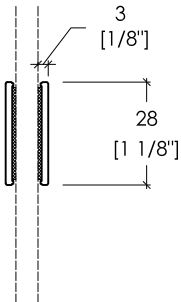
Panel Lock for S3000

Finish
Standard

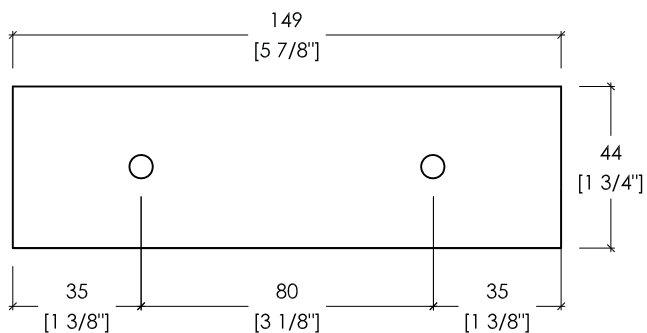
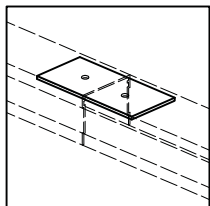
Description
Locks two panels together on the same track or one panel to jamb. Key cylinder is by ABUS. Blank keys are available from raumplus. Cylinders are not compatible with Schlage. Locks not suitable for healthcare environments. * Please check with local building code for egress

SYSTEM DESCRIPTION_ S42

SLIDING DOOR SYSTEM

| | |
|---|--|
| 10.28_ True dividing rail | |
|   | 13.22.020 |
| | True dividing rail |
| | Finish Standard |
| | Description Use to partition different materials horizontally or *vertically within a door *Consult Raumplus for vertical partitioning, cannot combine horizontal and vertical true dividers within one door Note: Frame kits not drilled for dividers |
| 10.29_ Single-sided applied dividing rail | |
|   | 13.33.020 |
| | Single-sided applied dividing rail |
| | Finish Standard |
| | Description Provided with adhesive backing Applied divider can be used horizontally or vertically |
| 10.30_ Double-sided applied dividing rail | |
|   | 13.33.020 |
| | Double-sided applied dividing rail |
| | Finish Standard |
| | Description Provided with adhesive backing Applied divider can be used horizontally or vertically |

10.31_ S42 Connector for top track



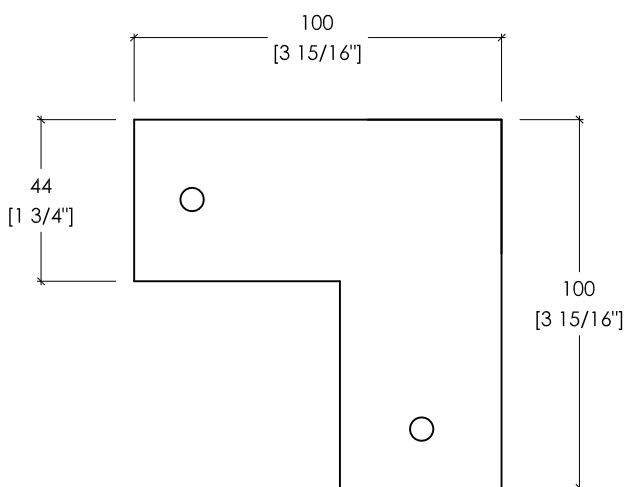
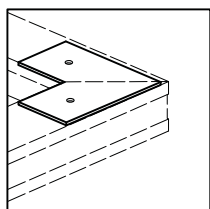
10.04.050

S42 Connector for top track

Finish
Standard

Description
Used for splicing top tracks
Mounts in slot on inside of track
Fasteners not included

10.32_ S42 Connector for top track / 90° corner



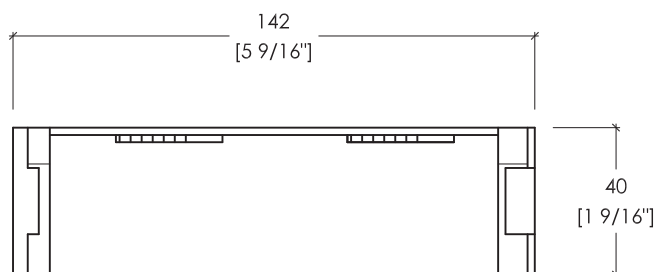
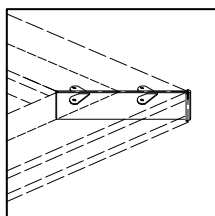
10.04.051

S42 Connector for top track / 90° corner

Finish
Standard

Description
Used for splicing top tracks at 90° corner
Mounts in slot on inside of track
Fasteners not included

10.33_ S42 Double corner connector for top track / 90° corner



10.08.298

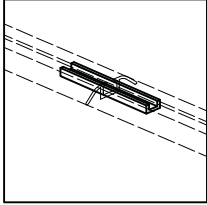
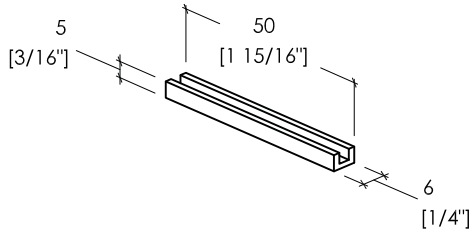
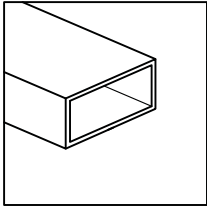
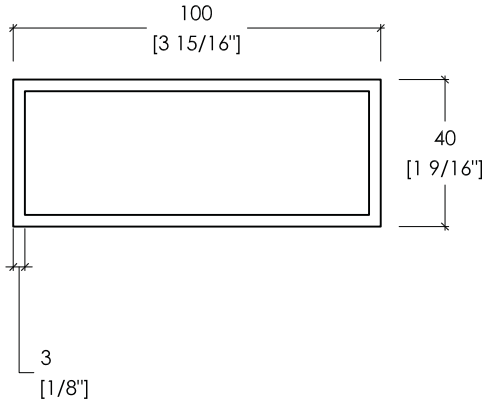
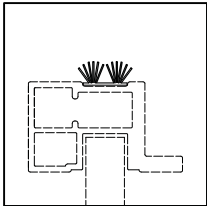
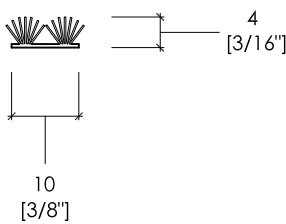
Double 90° corner connector

Finish
Standard

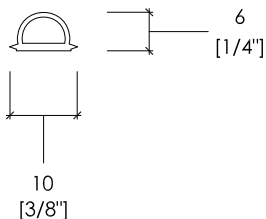
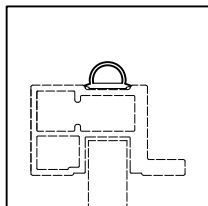
Description
Use to join two S42 double top tracks together at in 90° mitered corner

SYSTEM DESCRIPTION_ S42

SLIDING DOOR SYSTEM

| | |
|---|---|
| 10.34_ Connector for bottom track | |
|   | 10.04.040 |
| | Connector for bottom track |
| | Finish Black plastic |
| | Description Used for splicing bottom tracks Mounts inside track Can not be used in combination with security bottom roller |
| 10.35_ Header | |
|   | 14.90.020 |
| | Header |
| | Finish Standard |
| | Description May be used as header or post Max length 4877mm [16'-0"] |
| 10.36_ Brush gasket | |
|   | 10.07.023 (2.6m) 10.07.024 (3m) |
| | Brush gasket |
| | Finish Grey |
| | Description Used to cushion against wall, door or post One side standard, per door Includes two clips *2.6m [8'-6 3/8"] 3m [9'-10 1/8"] |

10.37_ Rubber gasket



10.26.070

Rubber gasket

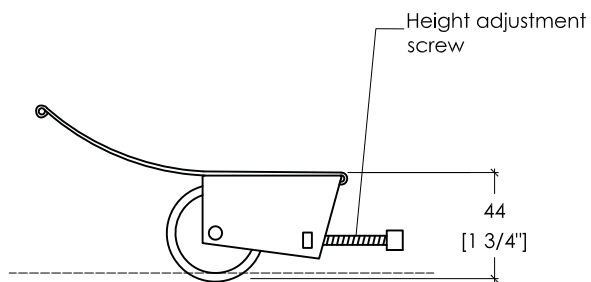
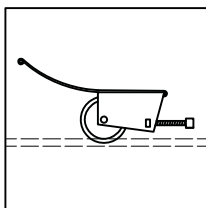
Finish

Grey

Description

Used to cushion against wall, door or post
Specify if substituting for standard brush gasket
*Cut to order

10.38_ Bottom roller



10.01.120

Bottom roller

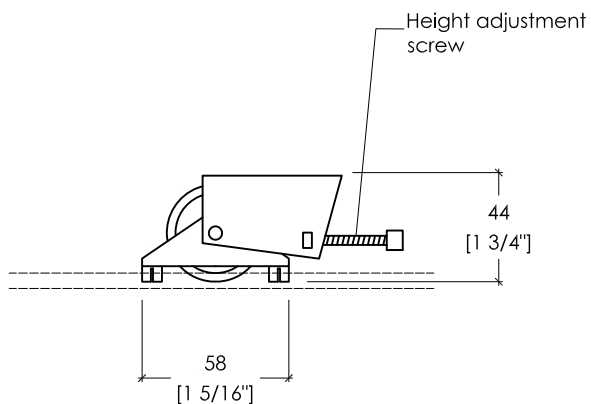
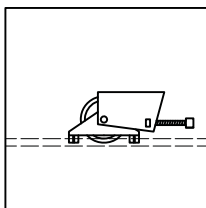
Finish

Steel
Sealed ball-bearing

Description

Standard bottom roller

10.39_ Security bottom roller



10.01.121

Security bottom roller

Finish

Steel
Sealed ball bearing

Description

Requires special installation
Use when doors are installed on top of half walls

Technical specifications are subject to change. All rights reserved raumplus North America
Should you have any further questions, please contact your **raumplus** representative.

Published by:

raumplus North America • 866 580 0112

Corporate Office / USA • 866 580 0112

Sales Office / New York • 212 947 0404

Corporate Office / CANADA • 866 999 3949