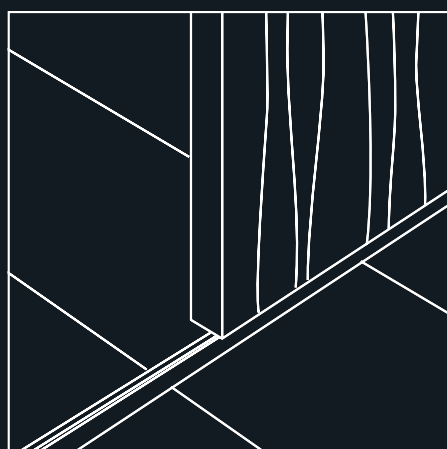
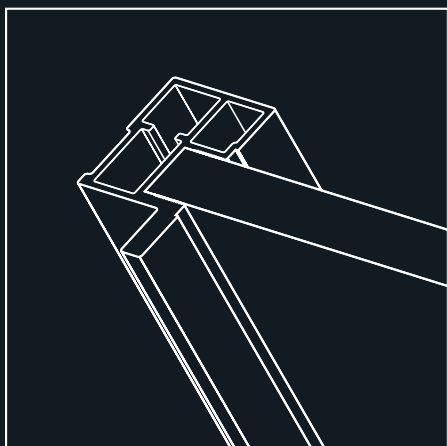
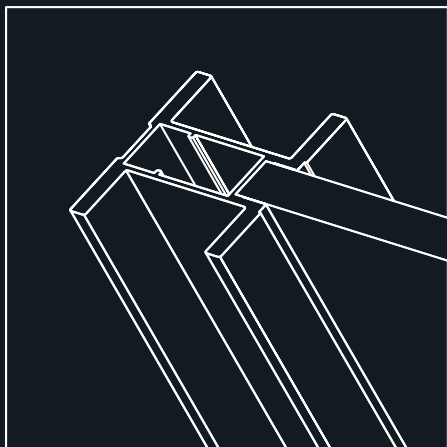


# SLIDING DOOR SYSTEM\_ S34

## PRODUCT LIST



System description

Accessories

**raumplus**

## **SLIDING DOOR SYSTEM\_ S34**

1.0\_ System description\_ page 03

2.0\_ Profiles\_ page 04

3.0\_ Profile finishes\_ page 08

4.0\_ Panels\_ page 09

5.0\_ Top tracks\_ page 13

6.0\_ Bottom Tracks\_ page 14

7.0\_ Accessories\_ page 18

# SYSTEM DESCRIPTION\_ S34

## SLIDING DOOR SYSTEM

### 1.1\_ Overview

The key features of our made-to-measure system are versatility in customization and quality of our hardware allowing for individual solutions and unparalleled operation. The compact depth of the S34 system creates an ideal solution for closet doors and room dividers in residential applications.

Doors can be ordered fully assembled with our standard panel materials or as frame kits to accommodate a panel material of your choosing. Assembly of doors with customer's own materials (COM) is available; please contact Raumplus for more information.

### 1.2\_ Fully assembled door

Made-to-measure per specifications with the following design parameters:

- \_ Maximum height 3048mm [10'-0"]\*
- \_ Maximum width 1525mm [5'-0"]\*
- \_ Maximum weight 180kg [390lbs]\*
- \_ Standard finish: Clear anodized aluminum (silver)
- \_ Top / bottom tracks shipped 50mm [2"] over-length for trimming on-site

#### System components (quantity per door):

##### Top Track

- 1\_ Top track (varies by order)
- 2\_ Positioning for top track (2)

##### Door

- 3\_ Top roller (2)
- 4\_ Top rail (1)
- 5\_ Stile (2)
- 6\_ Frame screw (4)
- 7\_ Plug / cover (4)
- 8\_ Brush gasket (1 stile only)
- 9\_ Panel (varies by order)
- 10\_ Panel gasket (all sides of panel)
- 11\_ Bottom rail (1)
- 12\_ Height adjustment screw (2)
- 13\_ Bottom roller (2)

##### Bottom track

- 14\_ Bottom track (varies by order)
- 15\_ Inset cover (for double or triple tracks only)
- 16\_ Reinforcement plate \*not shown

\* S150: Max size: 1219mm x 2743mm [4' x 9'] max weight: 60kg [130lbs]

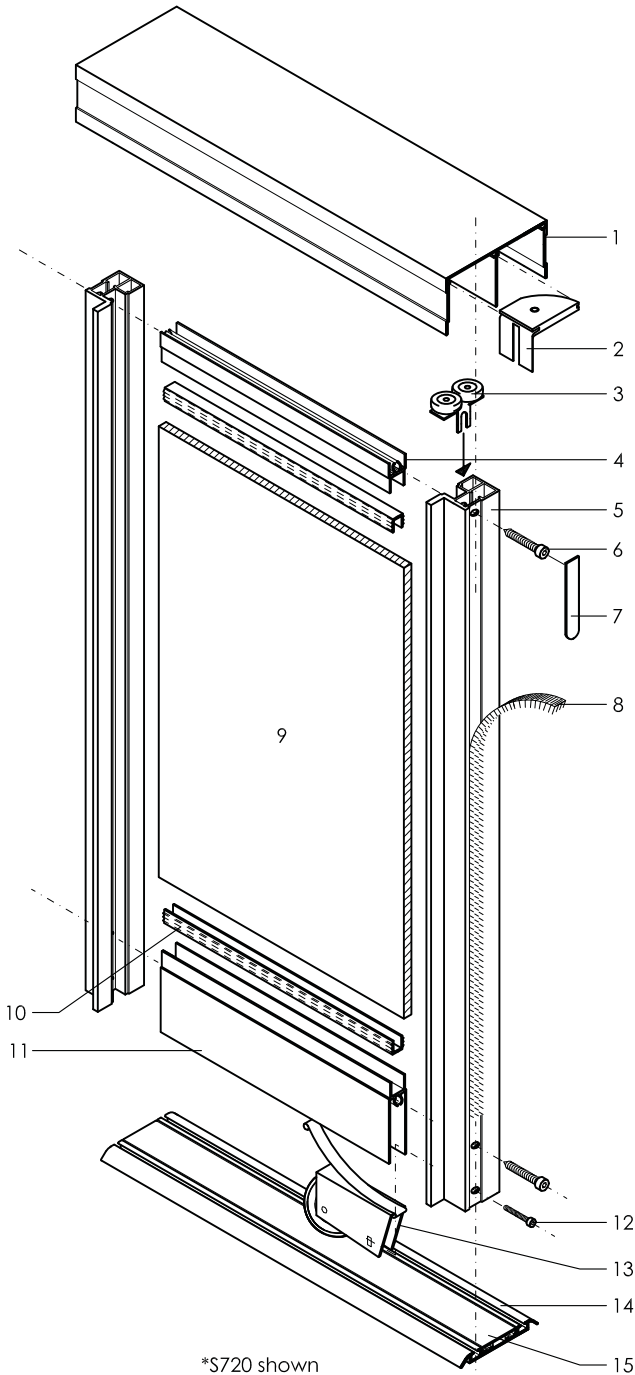
### 1.3\_ Frame kit

Frame kits are made-to-measure per specifications and ready for assembly using customer's own panel material. In addition to the design parameters listed for fully assembled doors, please consider the following:

- \_ Minimum panel thickness 4mm [5/32"]
- \_ Maximum glass thickness 8mm [5/16"]
- \_ Maximum solid panel thickness 10mm [3/8"]

Appropriate panel gasket to be specified when ordering:

- \_ 4mm [5/32"]
- \_ 5mm [3/16"]
- \_ 6mm [1/4"]
- \_ 7mm [9/32"]

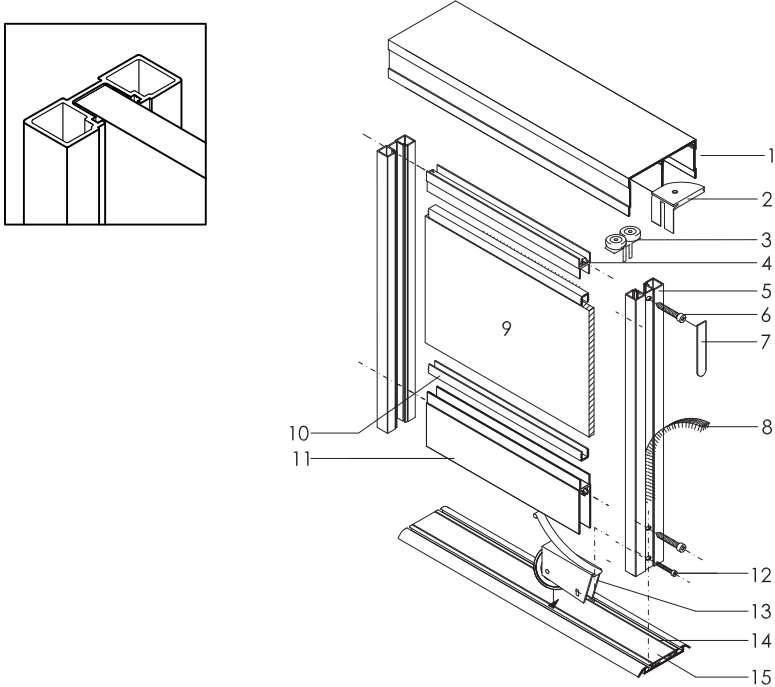


# SYSTEM DESCRIPTION\_ S34

## SLIDING DOOR SYSTEM

### 2\_ Profiles

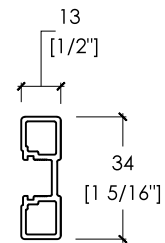
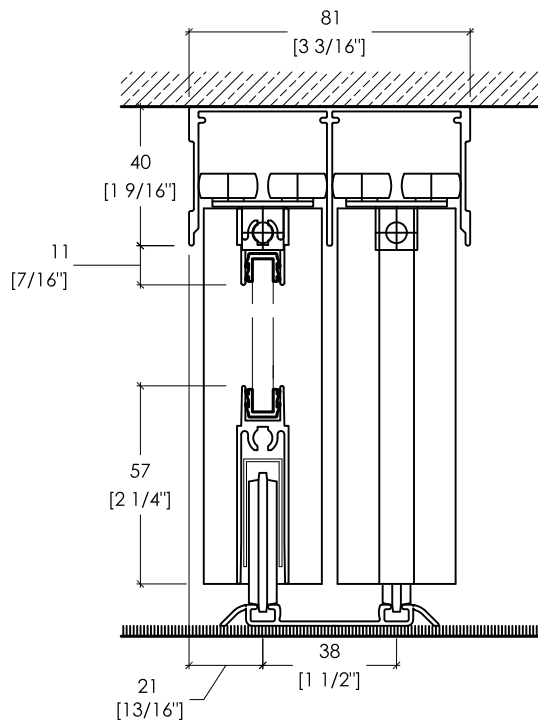
#### 2.1\_ S150 Isometric view



Each sliding door is composed of the following:

- Top track**
- 1\_ Top track (varies by order)
  - 2\_ Positioning for top track (2)
- Door**
- 3\_ Top roller (2)
  - 4\_ Top rail (1)
  - 5\_ Stile (2)
  - 6\_ Frame screw (4)
  - 7\_ Plug / cover (4)
  - 8\_ Brush gasket (1 stile only)
  - 9\_ Panel (1)
  - 10\_ Panel gasket (all sides of panel)
  - 11\_ Bottom rail (1)
  - 12\_ Height adjustment screw (2)
  - 13\_ Bottom roller (2)
- Bottom track**
- 14\_ Bottom track (varies by order)
  - 15\_ Inset cover (varies by order)
  - 16\_ Reinforcement plate \*not shown

#### S150 Section and stile detail



#### S150 Stile

#### Finish

Standard: Clear anodized aluminum (silver)

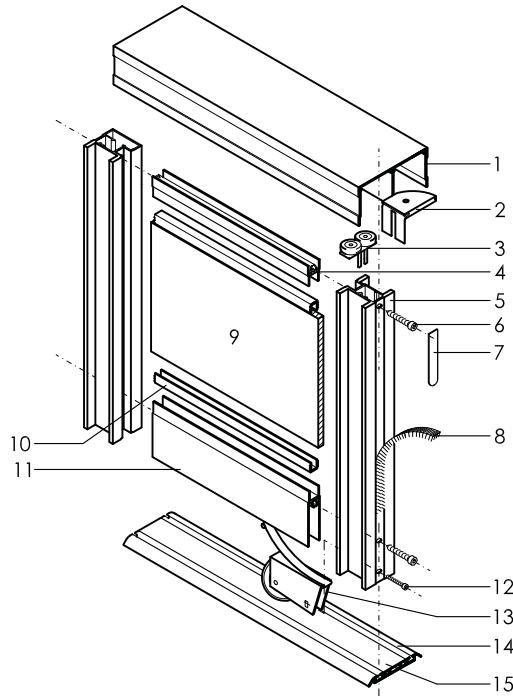
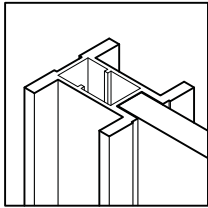
#### Application

Residential projects  
Room dividers or closet doors

#### Dimensions

Max size 1219mm x 2743mm [4' x 9']  
Max weight 60kg [130lbs]  
Panel thickness 4mm [3/16"] to 10mm [3/8"]

**2.2\_ S300 Isometric view**



Each sliding door is composed of the following:

**Top track**

- 1\_ Top track (varies by order)
- 2\_ Positioning for top track (2)

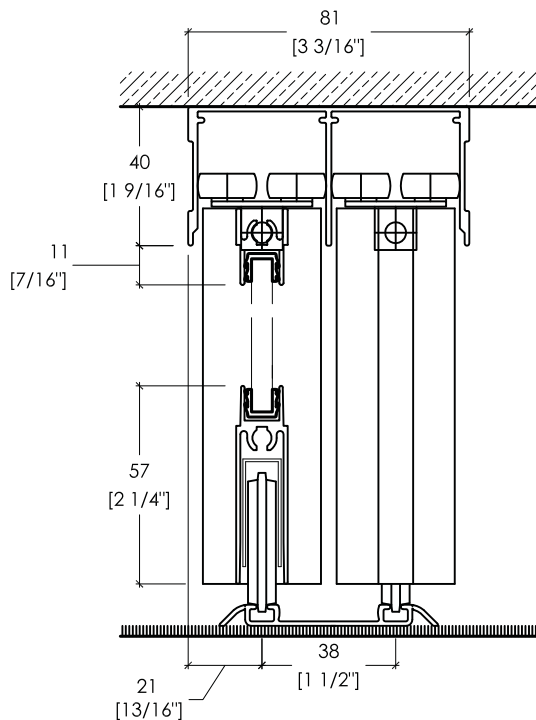
**Door**

- 3\_ Top roller (2)
- 4\_ Top rail (1)
- 5\_ Stile (2)
- 6\_ Frame screw (4)
- 7\_ Plug / cover (4)
- 8\_ Brush gasket (1 stile only)
- 9\_ Panel (1)
- 10\_ Panel gasket (all sides of panel)
- 11\_ Bottom rail (1)
- 12\_ Height adjustment screw (2)
- 13\_ Bottom roller (2)

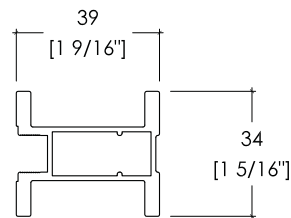
**Bottom track**

- 14\_ Bottom track (varies by order)
- 15\_ Inset cover (varies by order)
- 16\_ Reinforcement plate \*not shown

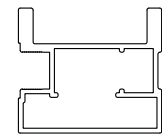
**S300 Section and stile detail**



**Symmetrical**



**Asymmetrical**



**S300 Stile**

**Finish**

Standard: Clear anodized aluminum (silver)

**Application**

Residential projects  
Room dividers or closet doors

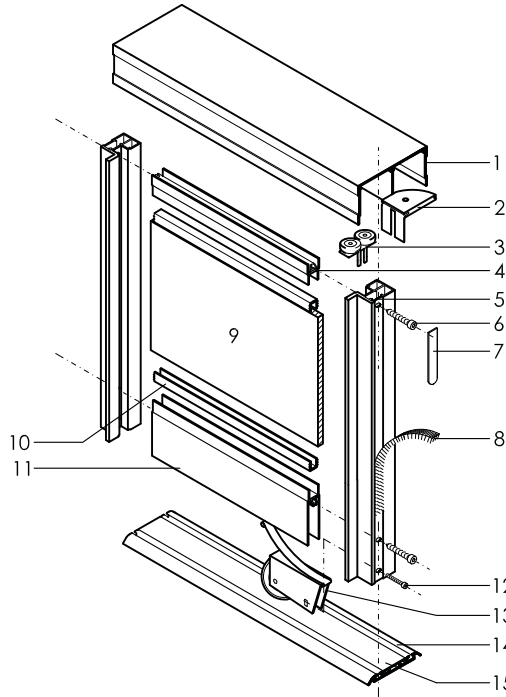
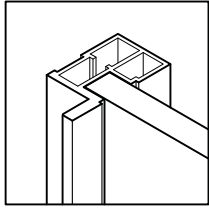
**Dimensions**

Max size 1525mm x 3048mm [5' x 10']  
Max weight 180kg [390lbs]  
Panel thickness 4mm [3/16"] to 10mm [3/8"]

# SYSTEM DESCRIPTION\_ S34

## SLIDING DOOR SYSTEM

### 2.3\_ S720 Isometric view



Each sliding door is composed of the following:

#### Top track

- 1\_ Top track (varies by order)
- 2\_ Positioning for top track (2)

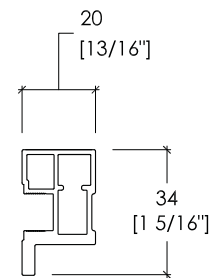
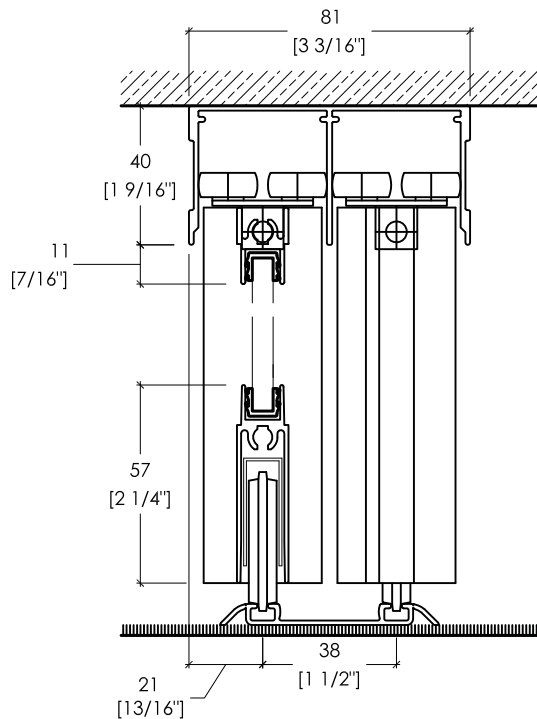
#### Door

- 3\_ Top roller (2)
- 4\_ Top rail (1)
- 5\_ Stile (2)
- 6\_ Frame screw (4)
- 7\_ Plug / cover (4)
- 8\_ Brush gasket (1 stile only)
- 9\_ Panel (1)
- 10\_ Panel gasket (all sides of panel)
- 11\_ Bottom rail (1)
- 12\_ Height adjustment screw (2)
- 13\_ Bottom roller (2)

#### Bottom track

- 14\_ Bottom track (varies by order)
- 15\_ Inset cover (varies by order)
- 16\_ Reinforcement plate \* not shown

### S720 Section and stile detail



#### S720 Stile

#### Finish

Standard: Clear anodized aluminum (silver)

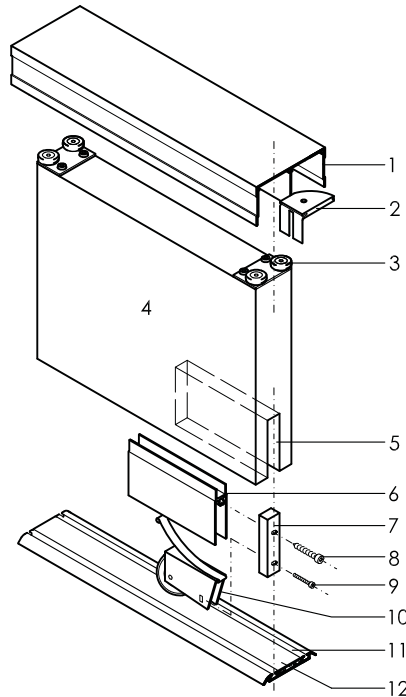
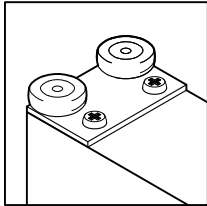
#### Application

Residential projects  
Closet doors

#### Dimensions

Max size 1219mm x 2743mm [4' x 9']  
Max weight 60kg [130lbs]  
Panel thickness 4mm [3/16"] to 10mm [3/8"]

**2.4 S34 Solid door hardware isometric view**



Each sliding door is composed of the following:

**Top track**

- 1\_ Top track (varies by order)
- 2\_ Positioning for top track (2)

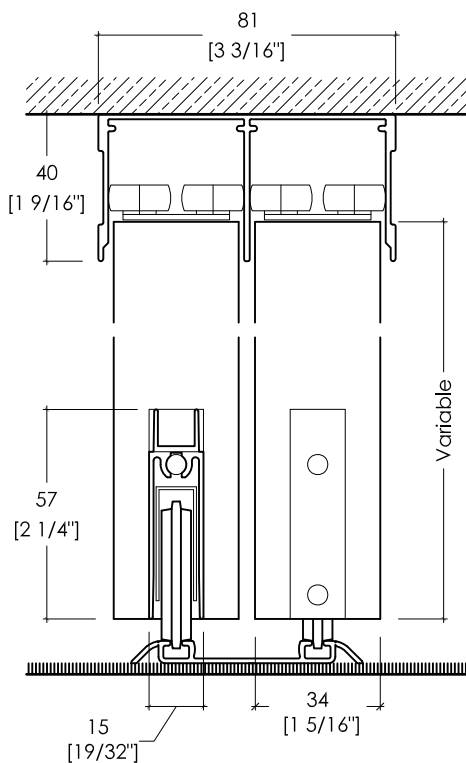
**Door**

- 3\_ Top roller (2)
- 4\_ (Material by others)
- 5\_ (Cut out for Bottom rail and Connector, both sides)
- 6\_ Bottom rail insert (2)
- 7\_ Bottom roller connector (2)
- 8\_ Frame screw (2)
- 9\_ Height adjustment screw (2)
- 10\_ Bottom roller (2)

**Bottom track**

- 11\_ Bottom track (varies by order)
- 12\_ Inset cover (varies by order)

**S34 Solid door hardware section and stile detail**



**S34 Solid door hardware**

**Finish**

Standard: Clear anodized aluminum (silver)

**Application**

Residential projects  
Room dividers or closet doors

**Dimensions**

Max weight 180kg [390lbs]  
Door thickness min 30mm [1 3/16"], max 34mm [1 5/16"]

**Included in hardware set (one door)**

(2) top rollers, (2) bottom rollers, (2) bottom rail Inserts (4" minimum), (2) bottom roller connectors, (2) height adjustment screws, (2) frame screws, (2) positioning for top track  
\*Top and bottom tracks sold separately

# SYSTEM DESCRIPTION\_ S34

## SLIDING DOOR SYSTEM

System description\_ S34\_ S150, S300, S720, Solid Door Hardware  
Sliding door system

### 3\_ Profile finishes

#### 3.1\_ Standard finish \_ Clear anodized aluminum (silver)

A factory applied finish, anodizing increases wear resistance and gives the surface a smooth matte aluminum appearance. Color for representation purposes only.



Standard finish  
Clear anodized (silver)



## 4\_ Panels

### 4.1\_ MDF

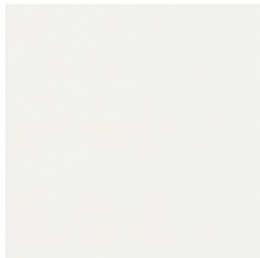
Medium density fiberboard (MDF) is an engineered wood product made of wood fibers, wax and resin. MDF is an ideal surface for painting, application of direct glue wall-covering, or a base for upholstered panels. Maximum size 1219mm x 2438mm [4'-0" x 8'-0"]. Colors for representation purposes only.



**MDF**  
**6mm [1/4"]**

### 4.2\_ Decor

Melamine Décor is a thin single melamine paper bonded to particle board; this is also referred to as direct pressure laminate. Maximum size 1219mm x 2438mm [4'-0" x 8'-0"]. Single-sided only. Colors for representation purposes only.



**White**  
**6mm [1/4"]**

### 4.3\_ Magnetic marker board

Double-sided magnetic marker board is a white dry erase board. Maximum size 914mm x 2134 [3'-0" x 7'-0"]. Colors for representation purposes only.



**6mm [1/4"]**

# SYSTEM DESCRIPTION\_ S34

## SLIDING DOOR SYSTEM

### 4.4\_ Plastic laminate

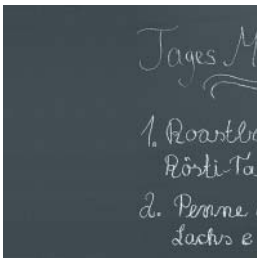
Plastic laminate is made from layers of resin-impregnated paper topped with a decorative melamine surface, and then pressed into sheets under extreme pressure and heat. Panels when mounted to a MDF core are approximately 3/8" thick. Manufacturers include, but are not limited to: Abet Laminati, Formica, Lamin-Art, Nevamar, Pionite and Wilsonart. Maximum size 1219mm x 2438mm (4'-0" x 8'-0") Available single- and double-sided. Colors for representation purposes only.



8mm [5/16"]

### 4.5\_ Chalk board

Single-sided black chalk board. Maximum size 1219mm x 2438mm [4'-0" x 8'-0"]. Single-sided only. Colors for representation purposes only.



6mm [1/4"]

#### 4.6\_ Veneer

Vertical grain wood veneer panels are available single or double-sided and comprised of engineered wood. Maximum size 1219mm x 2438mm [4'-0" x 8'-0"]. Colors for representation purposes only. All panels have a satin clear-coat finish.






				
<b>Quarter cut maple</b> VE-QM-001 8mm [5/16"]	<b>Quarter cut golden teak</b> VE-QGT-001 8mm [5/16"]	<b>Quarter cut zebrano</b> VE-Q2-001 8mm [5/16"]	<b>Quarter cut white oak</b> VE-QW0-001 8mm [5/16"]	<b>Flat cut cherry</b> VE-FC-001 8mm [5/16"]
				
<b>Quarter cut wenge</b> VE-QW-001 8mm [5/16"]	<b>Quarter cut teak</b> VE-QT-001 8mm [5/16"]	<b>Ribbon sapele</b> VE-RS-001 8mm [5/16"]	<b>Quarter cut dark walnut</b> VE-QDW-001 8mm [5/16"]	

# SYSTEM DESCRIPTION\_ S34

## SLIDING DOOR SYSTEM

### 4.7\_ Laminated glass

Laminated glass, often referred to as "safety glass", is strong and durable and designed to maintain its integrity in the event of breakage. Maximum size 1524mm x 3048mm [5' x 10']. Colors for representational purposes only.

				
<b>Clear</b> 6mm [1/4"]	<b>Cool white</b> 6mm [1/4"]	<b>Diffused white</b> 6mm [1/4"]	<b>Polar white</b> 6mm [1/4"]	<b>Grey</b> 6mm [1/4"]

### 4.8\_ Tempered glass

Tempered glass is manufactured to exact size and is stronger than regular glass. If broken the glass shatters into small fragments instead of sharp shards. Maximum size 1524mm x 2438mm [5'-0" x 8'-0"]. Colors for representation purposes only.

				
<b>Clear</b> 6mm [1/4"]	<b>Satin etched</b> 6mm [1/4"]			

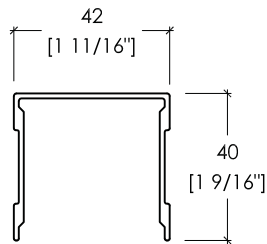
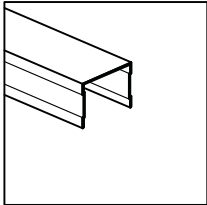
### 4.9\_ Mirrored glass

Silver mirror backed with a safety film. Single-sided mirror only, best used for closets. Maximum size 1219mm x 3048mm [4'-0" x 10'-0"]. Colors for representation purposes only.

				
<b>Mirror</b> 4mm [5/32"]				

## 5\_ Top tracks

### 5.1\_ S34 Single top track



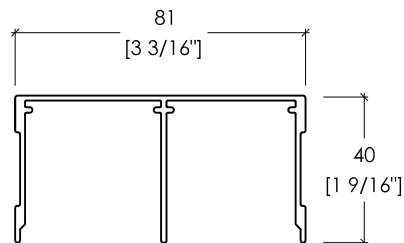
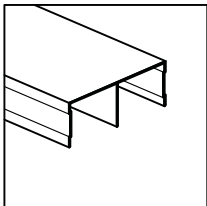
**15.45.020**

**S34 Single top track**

**Finish**  
Standard

**Description**  
Ceiling- or wall-mounted (add wall-mounted bracket and wall-mounted end caps)  
Max length 4877mm [16'-0"]

### 5.2\_ S34 Double top track



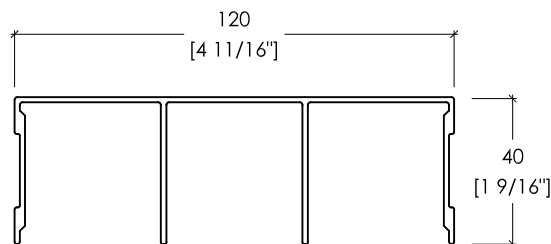
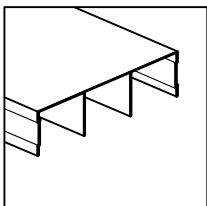
**15.25.020**

**S34 Double top track**

**Finish**  
Standard

**Description**  
Ceiling-mounted only  
Max length 4877mm [16'-0"]

### 5.3\_ S34 Triple top track



**15.35.020**

**S34 Triple top track**

**Finish**  
Standard

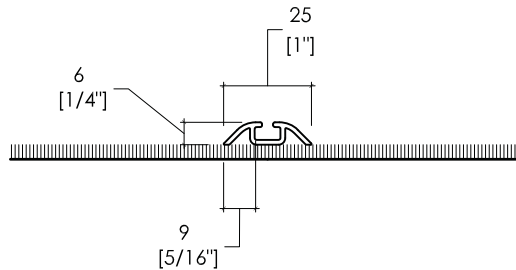
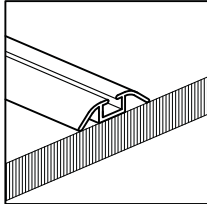
**Description**  
Ceiling-mounted only  
Max length 4877mm [16'-0"]

# SYSTEM DESCRIPTION\_ S34

## SLIDING DOOR SYSTEM

### 6\_ Bottom tracks

#### 6.1\_ S34 Single surface-mounted bottom track



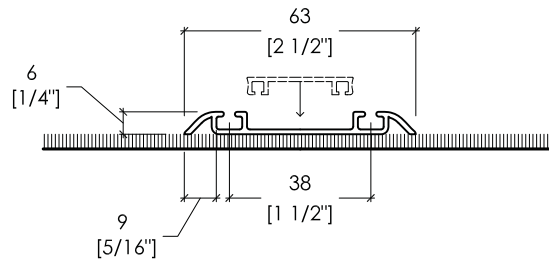
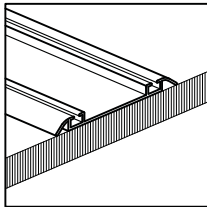
14.56.020

**S34 Single surface-mounted bottom track**

**Finish**  
Standard

**Description**  
Provided with adhesive backing  
Max length 4877mm [16'-0"]  
\*ADA compliant, verify with local jurisdictions

#### 6.2\_ S34 Double surface-mounted bottom track



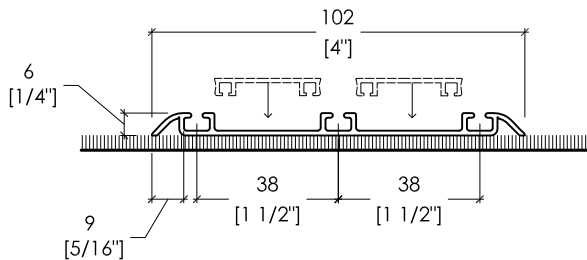
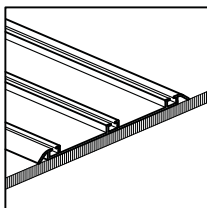
15.05.020

**S34 Double surface-mounted bottom track**

**Finish**  
Standard

**Description**  
Provided with adhesive backing  
Inset cover sold separately  
Max length 4877mm [16'-0"]  
\*ADA compliant, verify with local jurisdictions

#### 6.3\_ S34 Triple surface-mounted bottom track



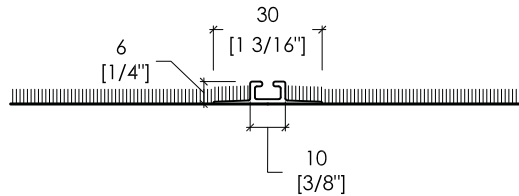
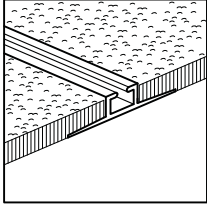
15.33.020

**S34 Triple surface-mounted bottom track**

**Finish**  
Standard

**Description**  
Provided with adhesive backing  
Inset covers sold separately  
Max length 4877mm [16'-0"]  
\*ADA compliant, verify with local jurisdictions

**6.4\_ S34 Single carpet bottom track**



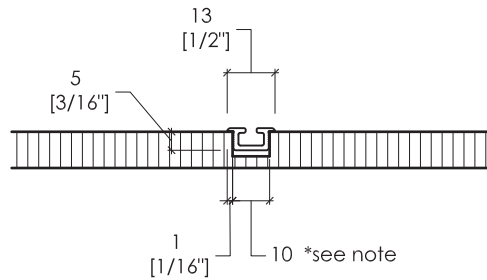
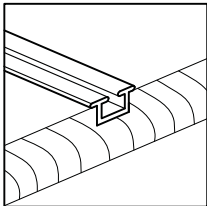
**14.46.020**

**S34 Single carpet bottom track**

**Finish**  
Standard

**Description**  
Provided with adhesive backing  
Max length 4877mm [16'-0"]  
\*ADA compliant, verify with local jurisdictions

**6.5\_ S34 Single insert bottom track**



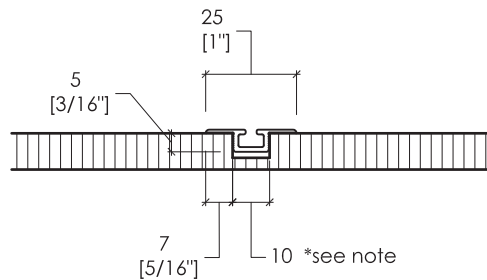
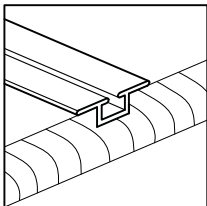
**14.76.020**

**S34 Single insert bottom track**

**Finish**  
Standard

**Description**  
Max length 4877mm [16'-0"]  
\*Use 10mm router bit  
\*ADA compliant, verify with local jurisdictions

**6.6\_ S34 Single insert bottom track, 25mm**



**14.49.020**

**S34 Single insert bottom track, 25mm**

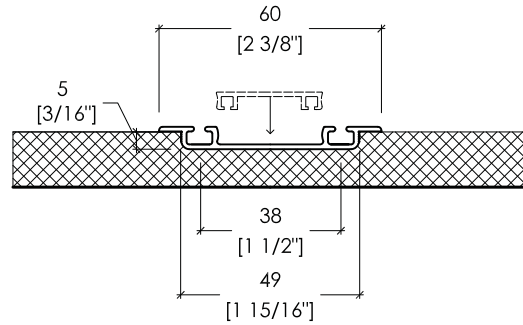
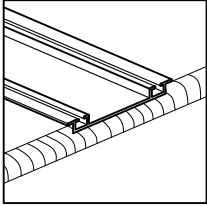
**Finish**  
Standard

**Description**  
Max length 4877mm [16'-0"]  
\*Use 10mm router bit  
\*ADA compliant, verify with local jurisdictions

# SYSTEM DESCRIPTION\_ S34

## SLIDING DOOR SYSTEM

### 6.7\_ S34 Double insert bottom track with flange



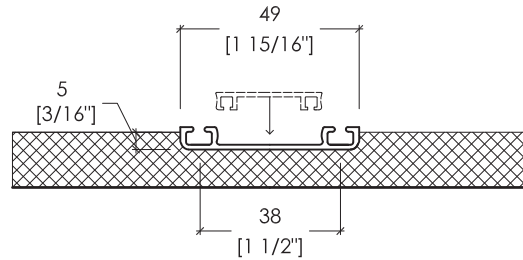
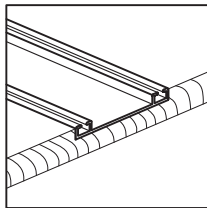
15.06.020

**S34 Double insert bottom track with flange**

**Finish**  
Standard

**Description**  
Inset cover sold separately  
Max length 4877mm [16'-0"]  
\*ADA compliant, verify with local jurisdictions

### 6.8\_ S34 Double insert bottom track without flange



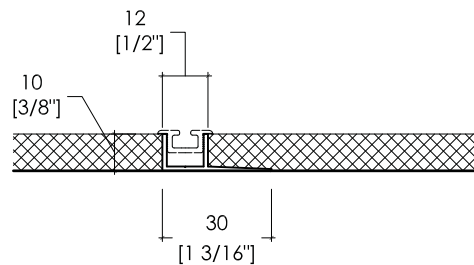
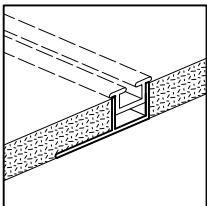
15.09.020

**S34 Double insert bottom track with out flange**

**Finish**  
Raw aluminum

**Description**  
Inset cover sold separately  
Max length 4877mm [16'-0"]  
\*ADA compliant, verify with local jurisdictions

### 6.9\_ Tile channel



14.77.010

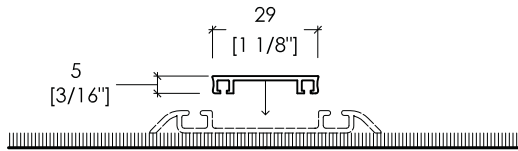
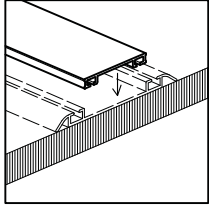
**S34 Tile channel**

**Finish**  
Standard

**Description**  
Use in conjunction with single insert track for tile or carpeted surfaces  
Max length 4877mm [16'-0"]



**6.10\_ S34 Double insert bottom track**



**15.16.020**

**S34 Inset cover for bottom track**

**Finish**  
 Standard

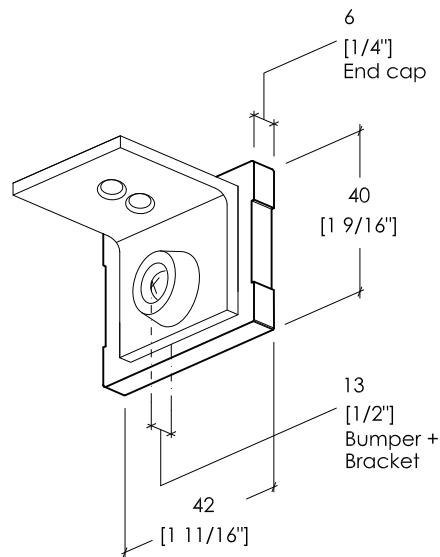
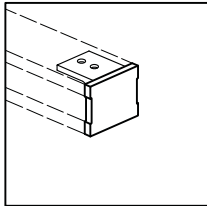
**Description**  
 Cover fits between double or triple tracks  
 Max length 4877mm [16'-0"]  
 \*Flooring material may be substituted for cover

# SYSTEM DESCRIPTION\_ S34

## SLIDING DOOR SYSTEM

### 7\_ Accessories

#### 7.1\_ S34 End cap for single top track / ceiling-mounted



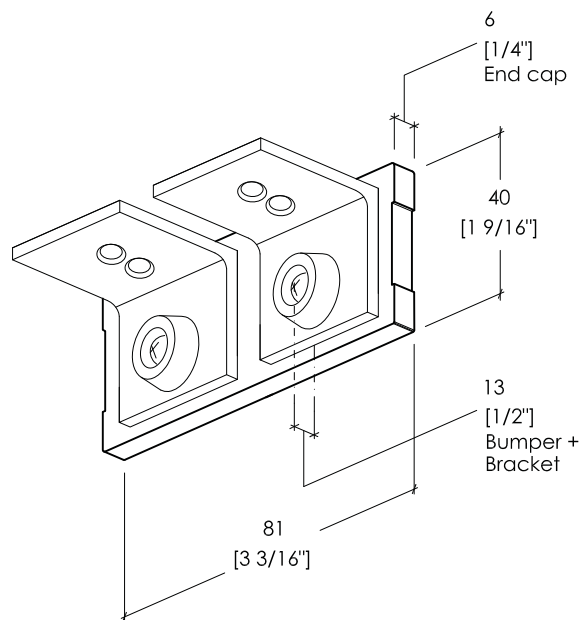
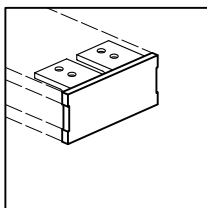
**ACC-ES34-20-01**

**S34 End cap for single top track / ceiling-mounted**

**Finish**  
Standard

**Description**  
For ceiling-mounted top tracks  
Includes (1) single end cap (1) zinc bracket, (1) bumper, and (1) screw  
Add 13mm [1/2"] extra track when using end cap  
Ceiling fasteners not included

#### 7.2\_ S34 End cap for double top track / ceiling-mounted



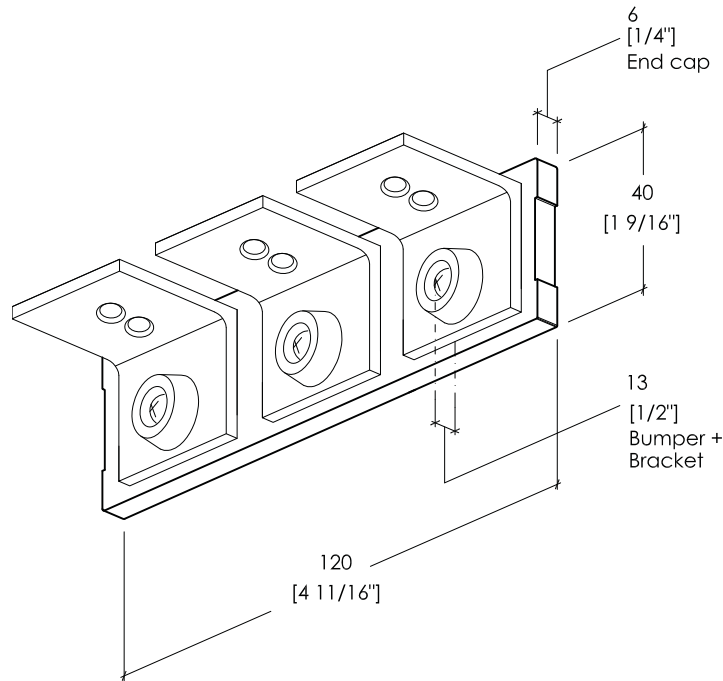
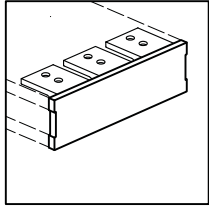
**ACC-ES34-20-02**

**S34 End cap for double top track / ceiling-mounted**

**Finish**  
Standard

**Description**  
For ceiling-mounted top tracks  
Includes (1) double end cap, (2) zinc brackets, (2) bumpers, and (2) screws  
Add 13mm [1/2"] extra track when using end cap  
Ceiling fasteners not included

**7.3\_ S34 End cap for triple top track / ceiling-mounted**



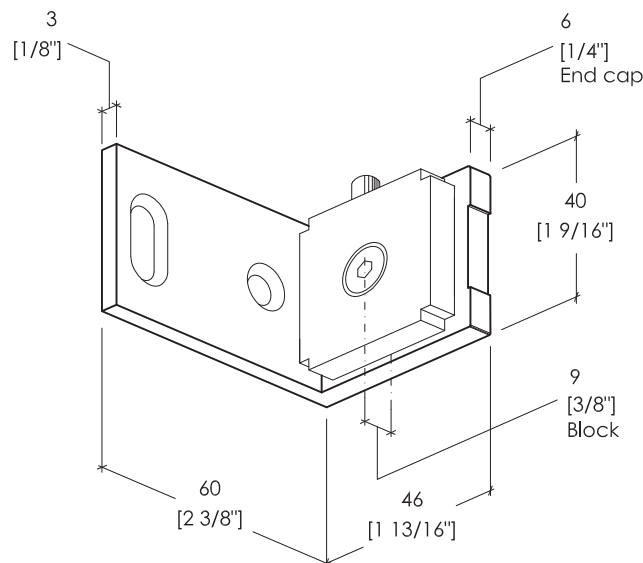
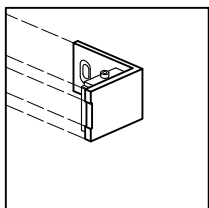
**ACC-ES34-20-03**

**S34 End cap for triple top track / ceiling-mounted**

**Finish**  
Standard

**Description**  
For ceiling-mounted top tracks  
Includes (1) triple end cap (3) zinc brackets, (3) bumpers, and (3) screws  
Add 13mm [1/2"] extra track when using end cap  
Ceiling fasteners not included

**7.4\_ S34 End cap for single top track / wall-mounted**



**10.08.181**

**S34 End cap for single top track / wall-mounted**

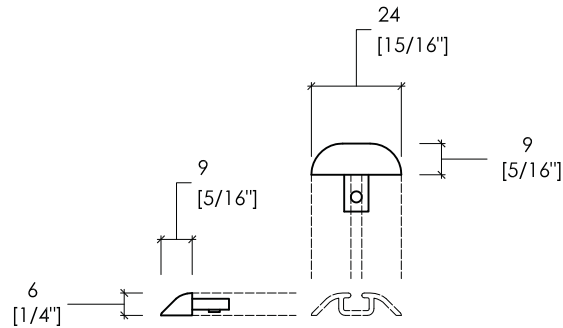
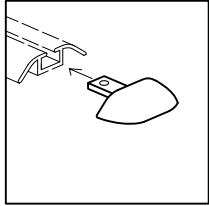
**Finish**  
Standard

**Description**  
For wall-mounted top tracks, (available for single top tracks only)  
Includes (1) wall-mounted end cap, (1) stop block, (1) block-to-end cap screw, (1) block-to-top track screw  
Add 9mm [3/8"] extra track when using end cap  
Wall fasteners not included  
\*Interchangeable L and R

# SYSTEM DESCRIPTION\_ S34

## SLIDING DOOR SYSTEM

### 7.5\_ S34 End cap for single surface-mounted bottom track



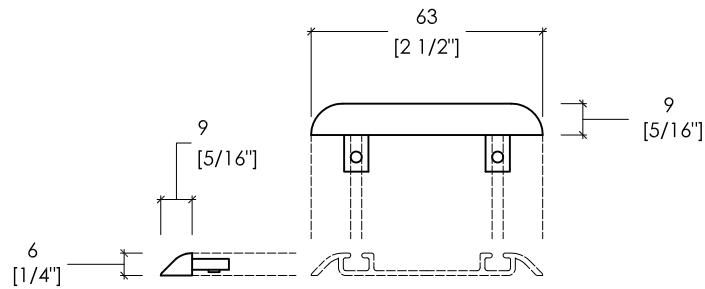
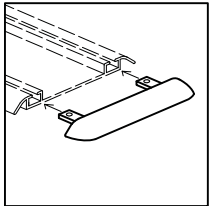
10.09.081

**S34 End cap for single surface-mounted bottom track**

**Finish**  
Standard

**Description**  
Includes (1) single end cap, (1) set screw

### 7.6\_ S34 End cap for double surface-mounted bottom track



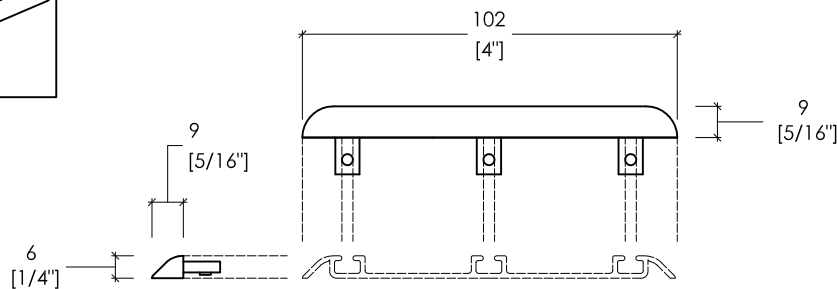
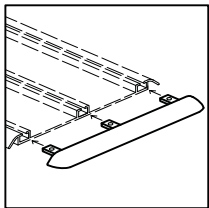
10.09.082

**S34 End cap for double surface-mounted bottom track**

**Finish**  
Standard

**Description**  
Includes (1) double end cap, (2) set screws

### 7.7\_ S34 End cap for triple surface-mounted bottom track



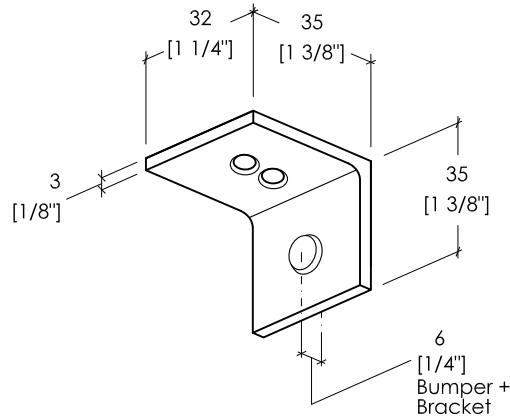
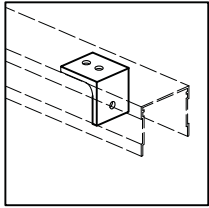
10.09.083

**S34 End cap for triple surface-mounted bottom track**

**Finish**  
Standard

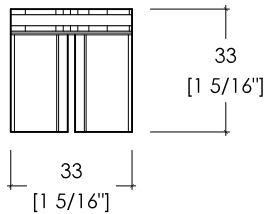
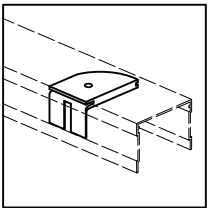
**Description**  
Includes (1) triple end cap, (3) set screws

**7.8\_ S34 Stopper for top track**



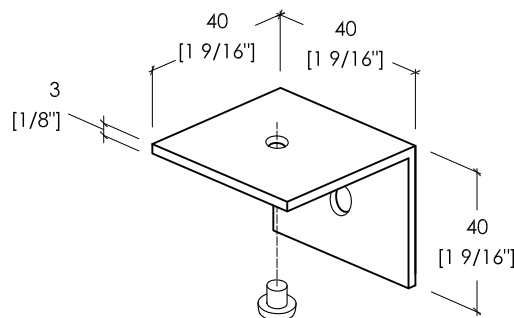
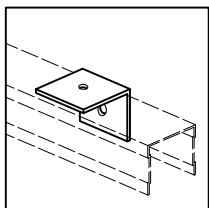
<b>10.08.280</b>
<b>S34 Stopper for top track</b>
<b>Finish</b> Zinc bracket
<b>Description</b> Clear silicone bumper included Ceiling fasteners not included

**7.9\_ S34 Positioning for top track**



<b>10.01.026</b>
<b>S34 Positioning for top track</b>
<b>Finish</b> Clear plastic
<b>Description</b> Holds door in desired location along track

**7.10\_ L-bracket for wall-mounted top track**

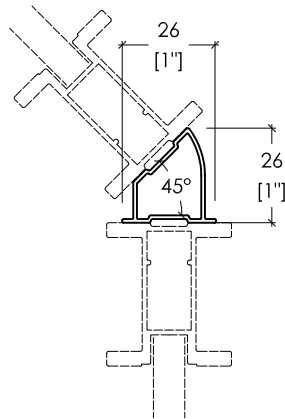
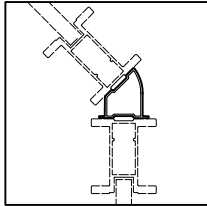


<b>10.08.170</b>
<b>L-bracket for wall-mounted top track</b>
<b>Finish</b> Standard
<b>Description</b> Wall-mounted bracket for S34 top track (single track only) Includes track-to-bracket screw Wall fastener not included Wall-mount for single doors only

# SYSTEM DESCRIPTION\_ S34

## SLIDING DOOR SYSTEM

### 7.11\_ 45° Corner profile



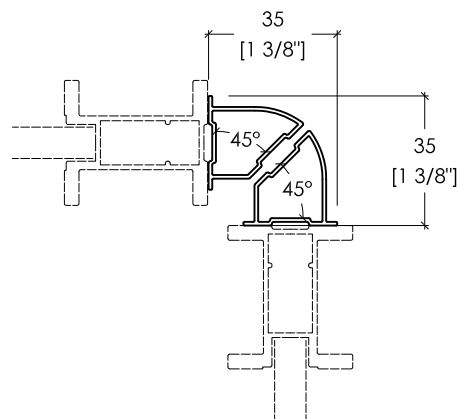
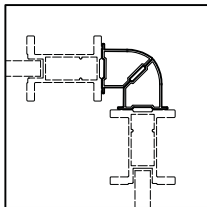
14.07.020

45° Corner profile

**Finish**  
Standard

**Description**  
Provided with adhesive backing

### 7.12\_ 90° Corner profile



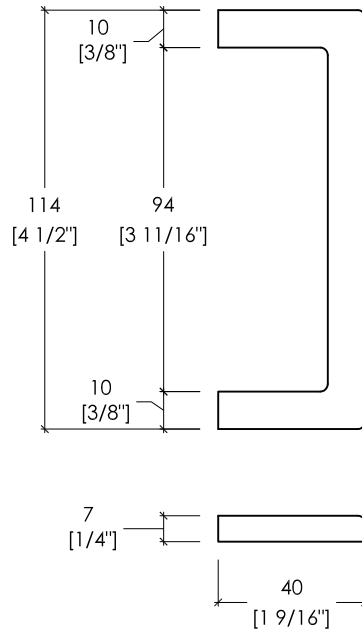
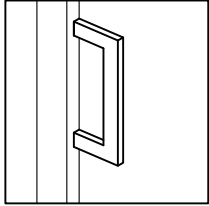
14.07.020

90° Corner profile

**Finish**  
Standard

**Description**  
Provided with adhesive backing  
(2) 14.07.020

**7.13\_ Half rectangle applied handle**



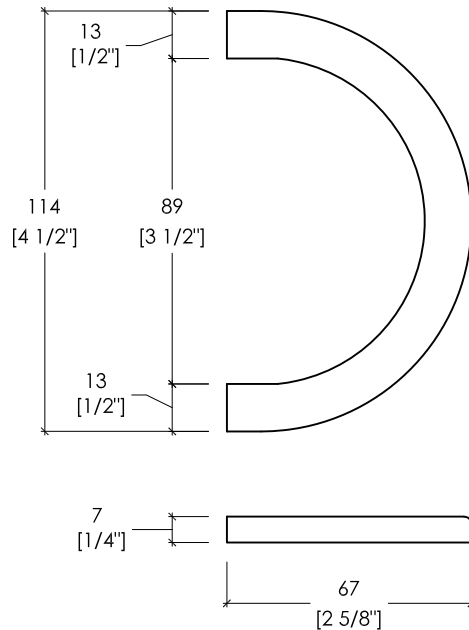
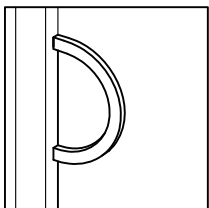
**10.01.093**

**Half rectangle applied handle**

**Finish**  
Standard

**Description**  
Provided with adhesive backing

**7.14\_ Half circle applied handle**



**10.01.094**

**Half circle applied handle**

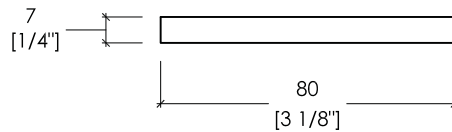
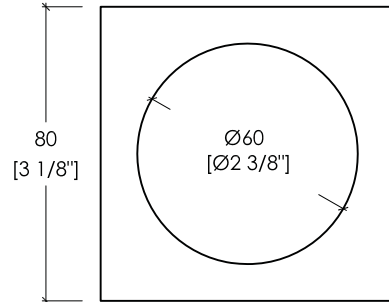
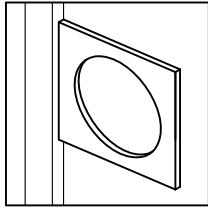
**Finish**  
Standard

**Description**  
Provided with adhesive backing

# SYSTEM DESCRIPTION\_ S34

## SLIDING DOOR SYSTEM

### 7.15\_ Square with circle cut-out applied handle



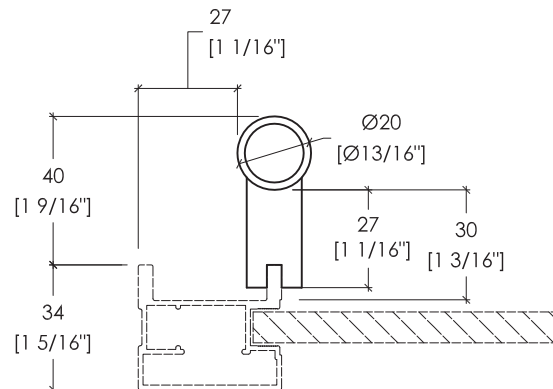
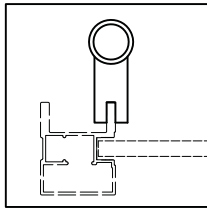
10.02.091

**Square with circle cut-out applied handle**

**Finish**  
Standard

**Description**  
Provided with adhesive backing which requires on-site trimming

### 7.16\_ Rod handle for S300 / S3000



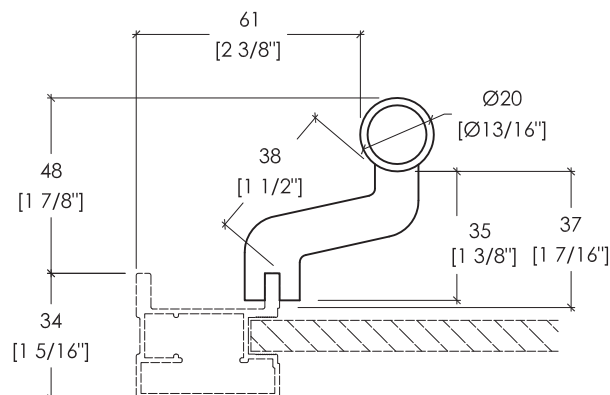
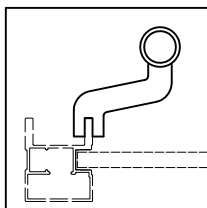
ACC-RDH-3000

**Rod handle for S300 / S720**

**Finish**  
Standard

**Description**  
Adds vertical rod handle to S300 / S3000 profile  
\*Includes plastic silver end caps  
\*Available in 305mm [1'-0"] increments

### 7.17\_ ADA handle for S300 / S3000



ACC-RDH-ADA

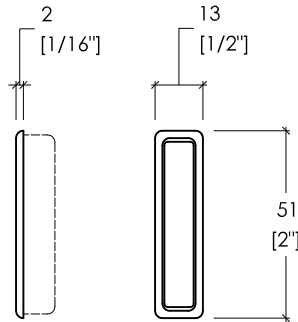
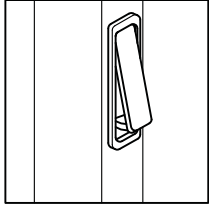
**ADA handle for S300 / S3000**

**Finish**  
Standard

**Description**  
ADA bracket with rod handle complies with ADA requirements for sliding door handles, verify with local jurisdictions  
\*Includes plastic silver end caps  
\*Available in 305mm [1'-0"] increments



**7.18\_ Pocket pull**



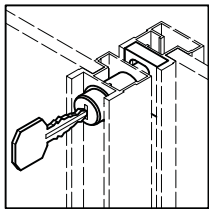
**10.01.047**

**Pocket pull**

**Finish**  
Standard

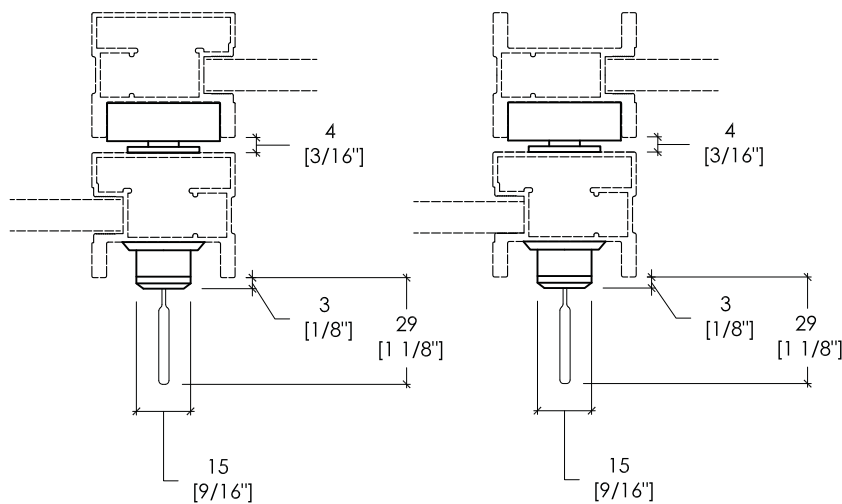
**Description**  
Used with pocket doors

**7.19\_ Frame lock for S300**



**Asymmetrical**

**Symmetrical**



**ACC-FLK-300**

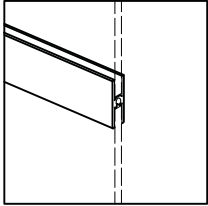
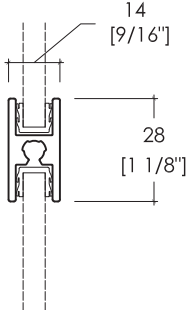
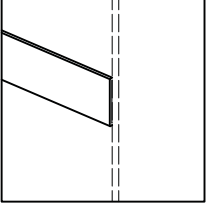
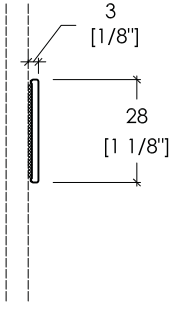
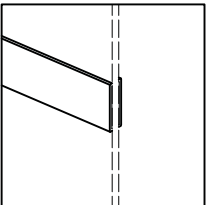
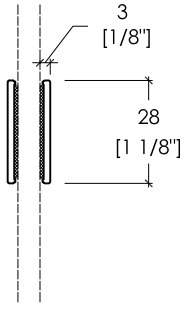
**Frame lock for S300**

**Finish**  
Standard

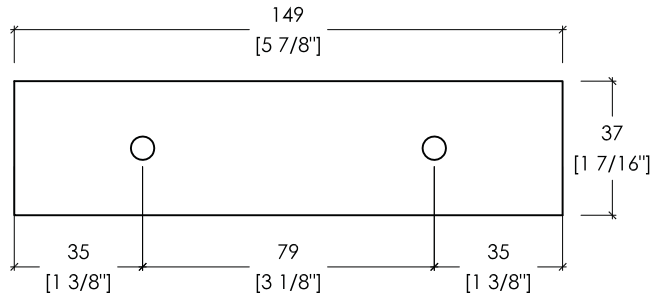
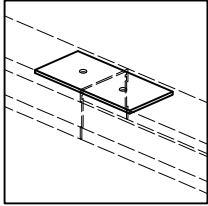
**Description**  
Locks S300 asymmetrical stile to S300 stile of choice  
Allows multiple panels to be locked together.  
Specify symmetrical or asymmetrical for second stile  
Includes S300 Lock plate (10.01.153)  
Key cylinder is by ABUS.  
Blank keys are available from raumplus.  
Cylinders are not compatible with Schlage.  
Locks not suitable for healthcare environments.  
\* Please check with local building code for egress

# SYSTEM DESCRIPTION\_ S34

## SLIDING DOOR SYSTEM

7.20_ True dividing rail	
 	<b>13.22.020</b>
	<b>True dividing rail</b>
	<b>Finish</b> Standard
	<b>Description</b> Use to partition different materials horizontally or *vertically within a door *Consult Raumplus for vertical partitioning, cannot combine horizontal and vertical true dividers within one door Note: Frame kits not drilled for dividers
7.21_ Single-sided applied dividing rail	
 	<b>13.33.020</b>
	<b>Single-sided applied dividing rail</b>
	<b>Finish</b> Standard
	<b>Description</b> Provided with adhesive backing Applied divider can be used horizontally or vertically
7.22_ Double-sided applied dividing rail	
 	<b>13.33.020</b>
	<b>Double-sided applied dividing rail</b>
	<b>Finish</b> Standard
	<b>Description</b> Provided with adhesive backing Applied divider can be used horizontally or vertically

**7.23\_ S34 Connector for top track**



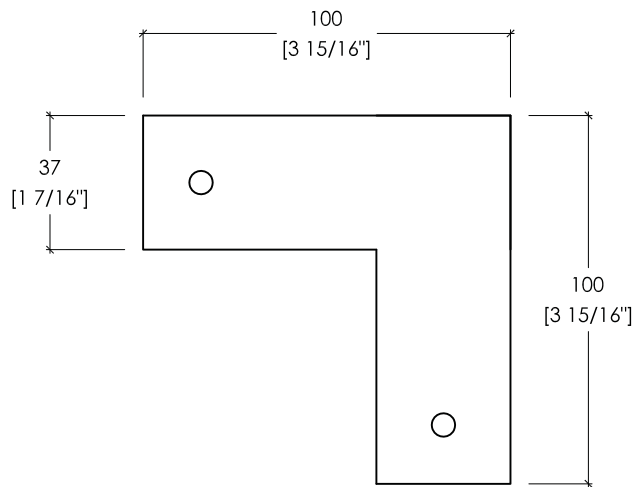
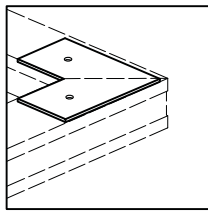
**10.04.055**

**S34 Connector for top track**

**Finish**  
Standard

**Description**  
Used for splicing top tracks  
Mounts in slot on inside of track  
Fasteners not included

**7.24\_ S34 Connector for top track / 90° corner**



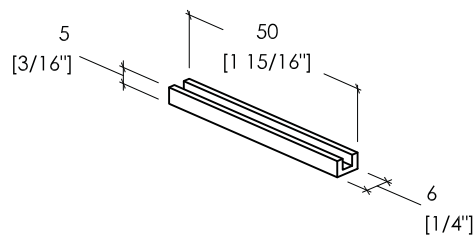
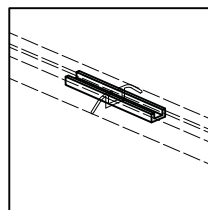
**10.04.056**

**S34 Connector for top track / 90° corner**

**Finish**  
Standard

**Description**  
Used for splicing top tracks at 90° corner  
Mounts in slot on inside of track  
Fasteners not included

**7.25\_ S34 Connector for bottom track**



**10.04.040**

**S34 Connector for bottom track**

**Finish**  
Black plastic

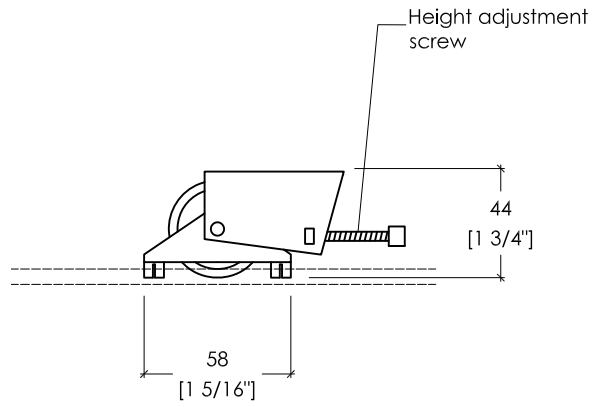
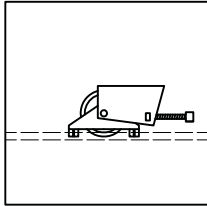
**Description**  
Used for splicing bottom tracks  
Mounts inside track  
Can not be used in combination with security bottom roller

# SYSTEM DESCRIPTION\_ S34

## SLIDING DOOR SYSTEM

7.26_ Brush gasket	
	<b>10.07.023 (2.6m)</b> <b>10.07.024 (3m)</b>
	<b>Brush gasket</b>
	<b>Finish</b> Grey
	<b>Description</b> Used to cushion against wall, door or post One side standard, per door Includes two clips *2.6m [8'-6 3/8"] 3m [9'-10 1/8"]
7.27_ Rubber gasket	
	<b>10.26.070</b>
	<b>Rubber gasket</b>
	<b>Finish</b> Grey
	<b>Description</b> Used to cushion against wall, door or post Specify if substituting for standard brush gasket *Cut to order
7.28_ Bottom roller	
	<b>10.01.120</b>
	<b>Bottom roller</b>
	<b>Finish</b> Steel Sealed ball-bearing
	<b>Description</b> Standard bottom roller

**7.29\_ Security bottom roller**



**10.01.121**

**Security bottom roller**

**Finish**

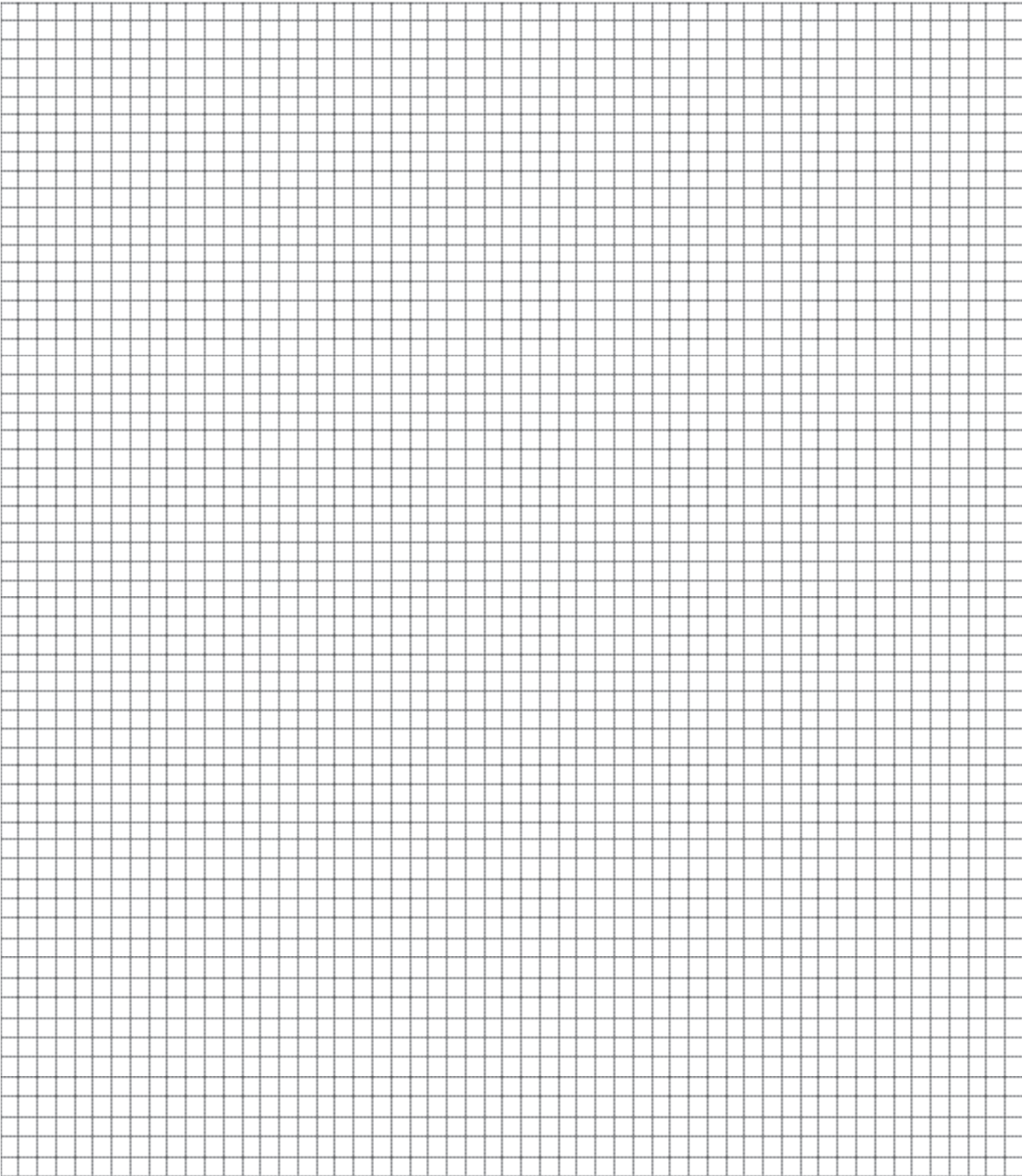
Steel  
Sealed ball bearing

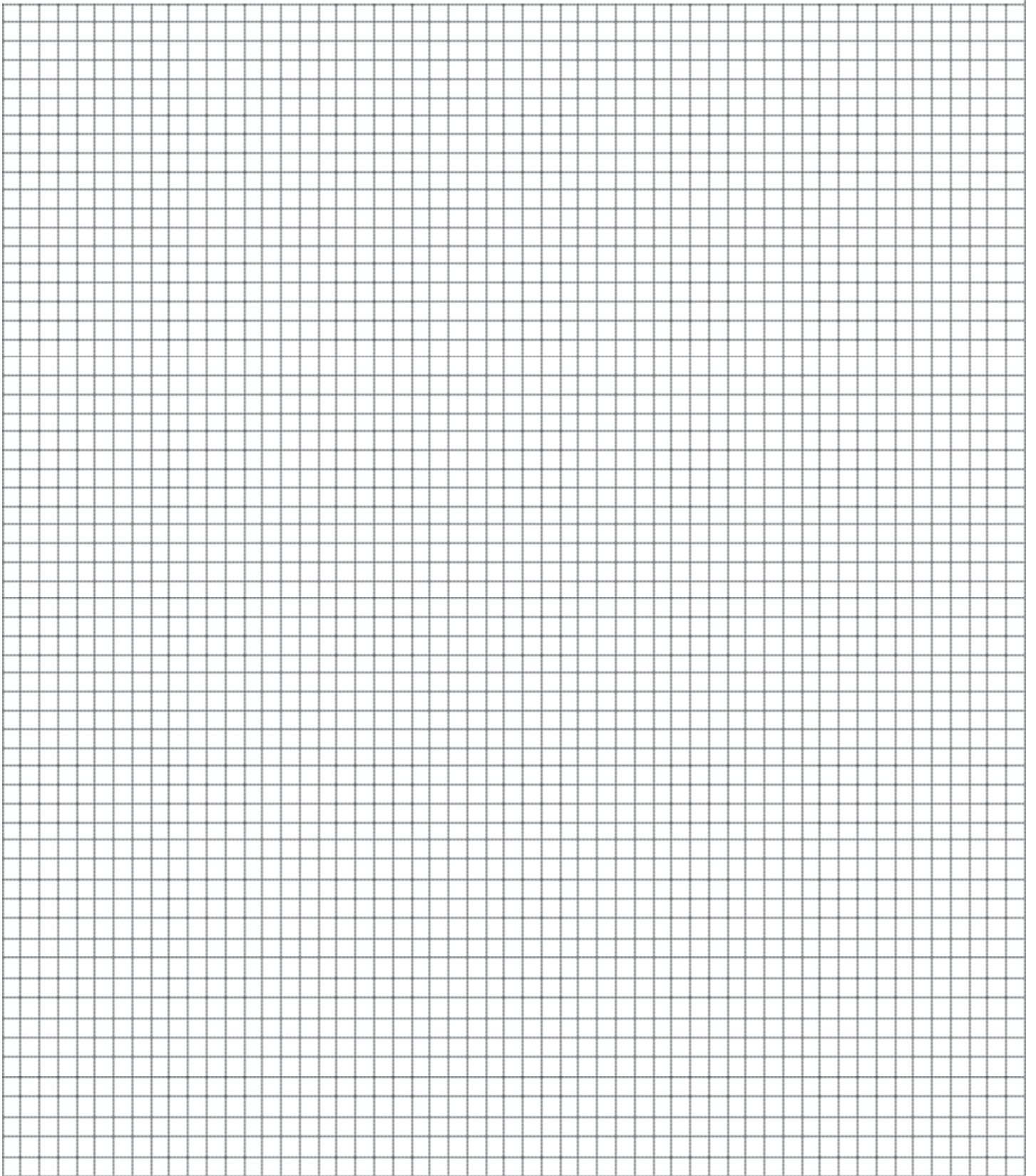
**Description**

Requires special installation  
Use when doors are installed on top of half walls

# SYSTEM DESCRIPTION\_ S34

## SLIDING DOOR SYSTEM





Technical specifications are subject to change. All rights reserved raumplus North America  
Should you have any further questions, please contact your **raumplus** representative.

Published by:

**raumplus** North America • 866 580 0112

Corporate Office / USA • 866 580 0112

Sales Office / New York • 212 947 0404

Corporate Office / CANADA • 866 999 3949