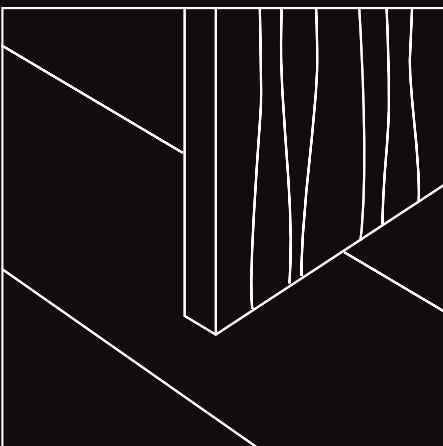
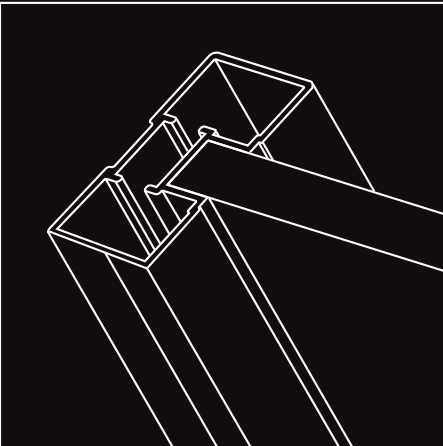
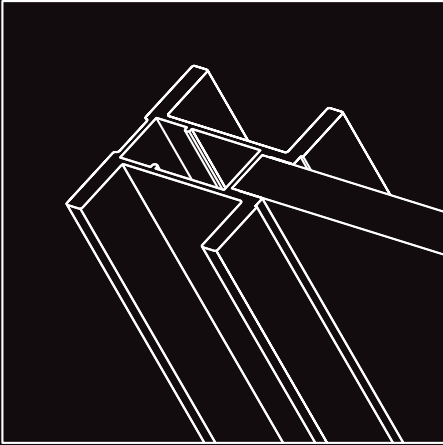


SLIDING DOOR SYSTEM_ AIR

PRODUCT LIST



System description

Accessories

raumplus

SLIDING DOOR SYSTEM_ AIR

1.0_ System description_ page 03

2.0_ Profiles_ page 04

3.0_ Profile finishes_ page 10

4.0_ Panels_ page 11

5.0_ Top tracks_ page 15

6.0_ Accessories_ page 17

7.0_ Diagrams_ Alignment_ page 34

8.0_ Diagrams_ Ganging_ page 38

SYSTEM DESCRIPTION_ AIR

SLIDING DOOR SYSTEM

1.1_ Overview

The key features of our made-to-measure system are versatility in customization and quality of our hardware allowing for individual solutions and unparalleled operation. The AIR system is an ideal solution for environments where an uninterrupted floor plane is required.

Doors can be ordered fully assembled with our standard panel materials or as frame kits to accommodate a panel material of your choosing. Assembly of doors with customer's own materials (COM) is available; please contact Raumplus for more information.

1.2_ Fully assembled door

Made-to-measure per specifications with the following design parameters:

- _ Maximum height 2743mm [9' - 0"]
- _ Maximum width 1219mm [4' - 0"]
- _ Maximum weight 60kg [130lbs]
- _ Standard finish: Clear anodized aluminum (silver)
- _ Top track, Valance, L-bracket shipped 50mm [2"] over-length for trimming on-site

System components (quantity per door):

Top Track

- 1_ Valance (varies by order)
- 2_ Top track (varies by order)
- Not shown:

AIR Stopper with brake (2)

Door

- 3_ AIR Roller (2)
- 4_ Fixation for top track (2)
- 5_ Top rail (1)
- 6_ Stile (2)
- 7_ Frame screw (4)
- 8_ Plug / cover (4)
- 9_ Brush gasket (one stile only)
- 10_ Panel (varies by order)
- 11_ Panel gasket (all sides of panel)
- 12_ Bottom rail (1)
- 13_ Ground plate with roller (1)
- 14_ Ground plate without roller (1)

1.3_ Frame kit

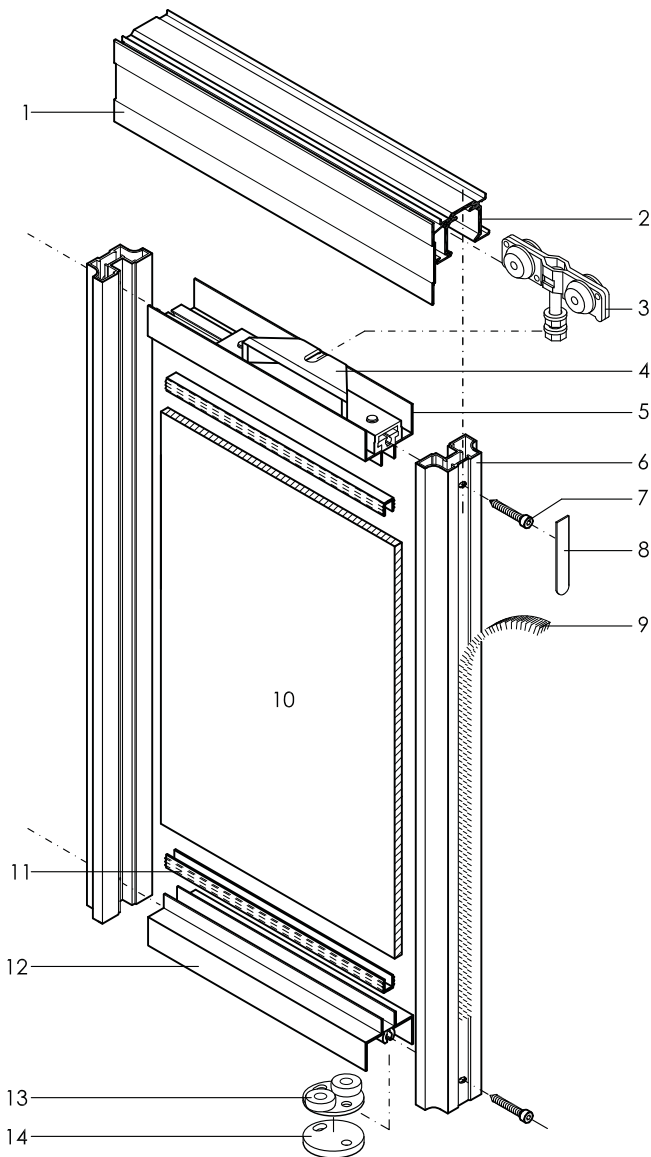
Frame kits are made-to-measure per specifications and ready for assembly using customer's own panel material. In addition to the design parameters listed for fully assembled doors, please consider the following:

- _ Minimum panel thickness 4mm [5/32"]
- _ Maximum glass thickness 8mm [5/16"]
- _ Maximum solid panel thickness 10mm [3/8"]

Appropriate panel gasket to be specified when ordering:

- _ 4mm [5/32"]
- _ 5mm [3/16"]
- _ 6mm [1/4"]
- _ 7mm [9/32"]
- _ 8mm [5/16"]

*Gasket not required for solid 10mm [3/8"] material



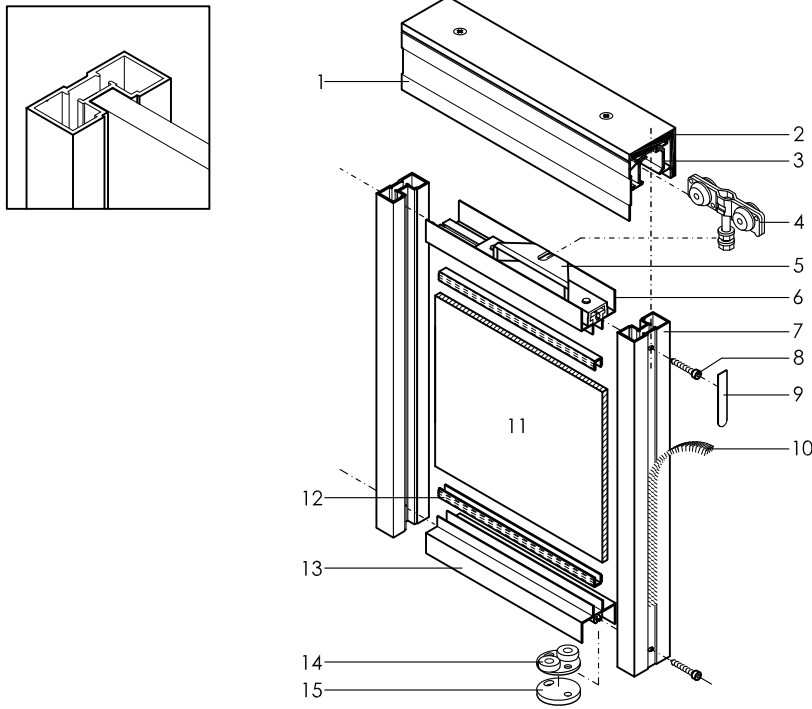
*S1500 Symmetrical shown

SYSTEM DESCRIPTION **AIR**

SLIDING DOOR SYSTEM

2_ Profiles

2.1_ S1500 Isometric view / wall-mounted



Each sliding door is composed of the following:

Top track

- 1_ Valance (varies by order)
- 2_ Continuous L-bracket (varies by order)
- 3_ Top track (varies by order)

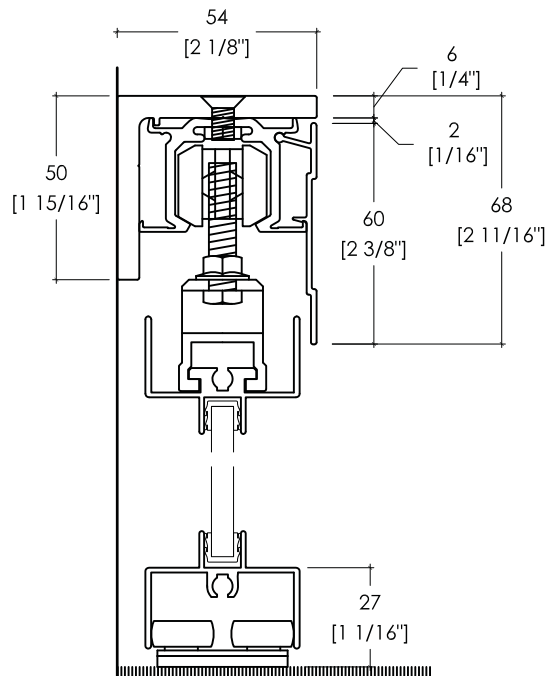
Not shown:

- AIR Stopper with brake (2)

Door

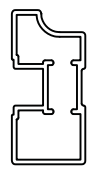
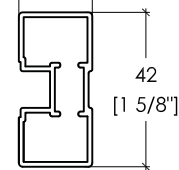
- 4_ AIR roller (2)
- 5_ Fixation for top track (2)
- 6_ Top rail (1)
- 7_ Stile (2)
- 8_ Frame screw (4)
- 9_ Plug / cover (4)
- 10_ Brush gasket (one stile only)
- 11_ Panel (1)
- 12_ Panel gasket (all sides of panel)
- 13_ Bottom rail (1)
- 14_ Ground plate with roller (1)
- 15_ Ground plate without roller (1)

S1500 Section and stile detail / wall-mounted



Square **Symmetrical** **Asymmetrical**

20
[13/16"]



S1500 Stile

Finish

Standard: Clear anodized aluminum (silver)

Application

Residential / commercial projects

Dimensions

Max size 1219mm x 2743mm [4' x 9']

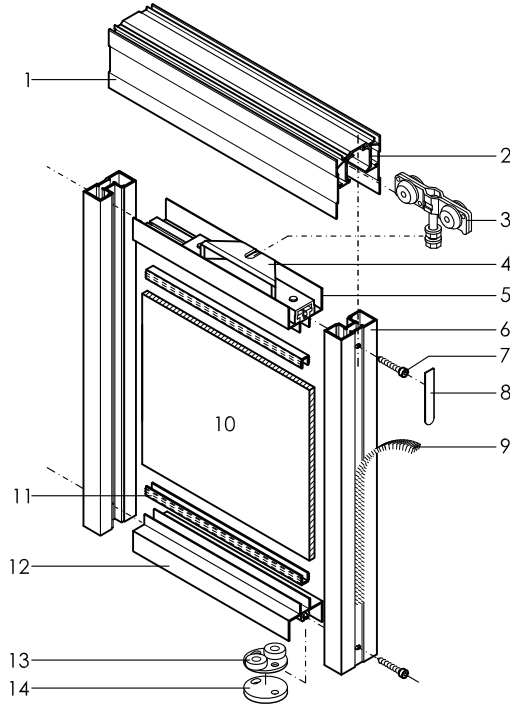
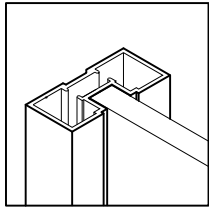
Max weight 60kg [130lbs]

Panel thickness 4mm [3/16"] to 10mm [3/8"]

*Door can not travel past ground plate with roller

Wall-mount for single doors only

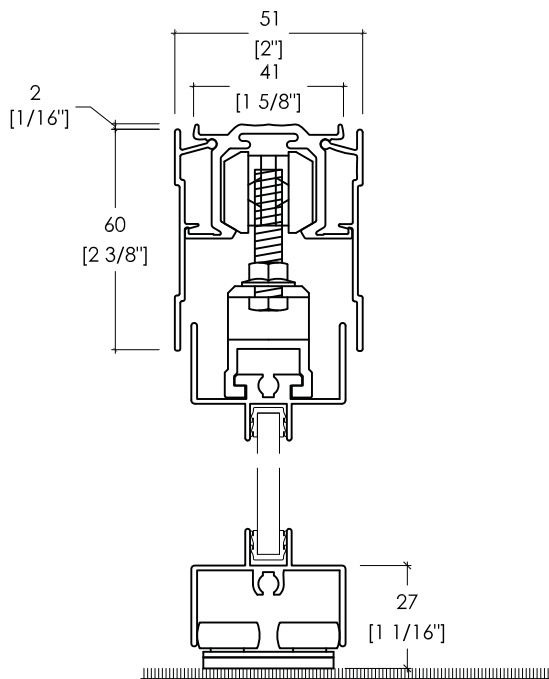
2.2_ S1500 Isometric view / ceiling-mounted



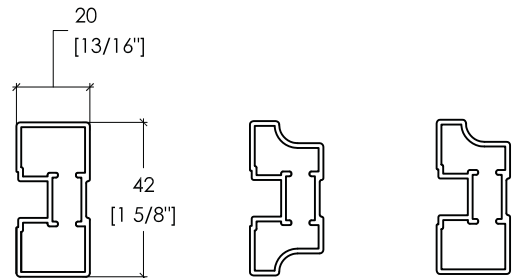
Each sliding door is composed of the following:

- Top track**
- 1_ Valance (varies by order)
- 2_ Top track (varies by order)
- Not shown:
AIR Stopper with brake (2)
- Door**
- 3_ AIR roller (2)
- 4_ Fixation for top track (2)
- 5_ Top rail (1)
- 6_ Stile (2)
- 7_ Frame screw (4)
- 8_ Plug / cover (4)
- 9_ Brush gasket (one stile only)
- 10_ Panel (1)
- 11_ Panel gasket (all sides of panel)
- 12_ Bottom rail (1)
- 13_ Ground plate with roller (1)
- 14_ Ground plate without roller (1)

S1500 Section and stile detail / ceiling-mounted



Square Symmetrical Asymmetrical



S1500 Stile

Finish

Standard: Clear anodized aluminum (silver)

Application

Residential / commercial projects

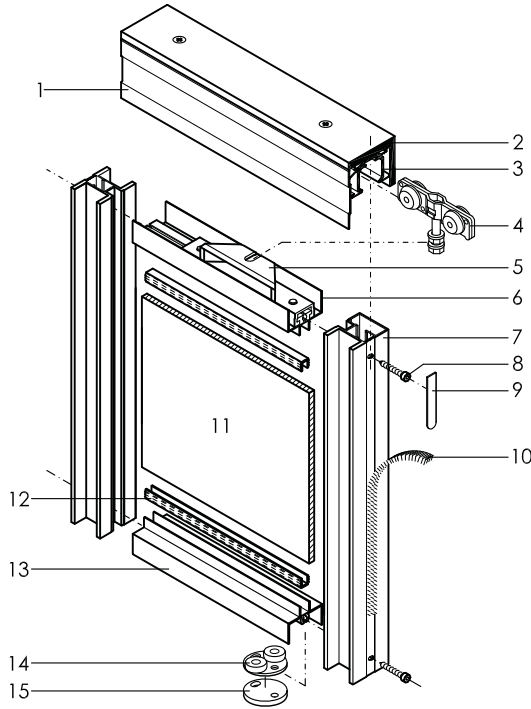
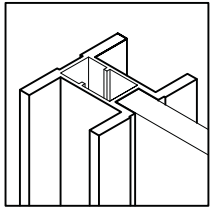
Dimensions

Max size 1219mm x 2743mm [4' x 9']
Max weight 60kg [130lbs]
Panel thickness 4mm [3/16"] to 10mm [3/8"]
*Door can not travel past ground plate with roller

SYSTEM DESCRIPTION **AIR**

SLIDING DOOR SYSTEM

2.3_ S3000 Isometric view / wall-mounted



Each wall-mounted sliding door is composed of the following:

Top track

- 1_ Valance (varies by order)
- 2_ Continuous L-bracket (varies by order)
- 3_ Top track (varies by order)

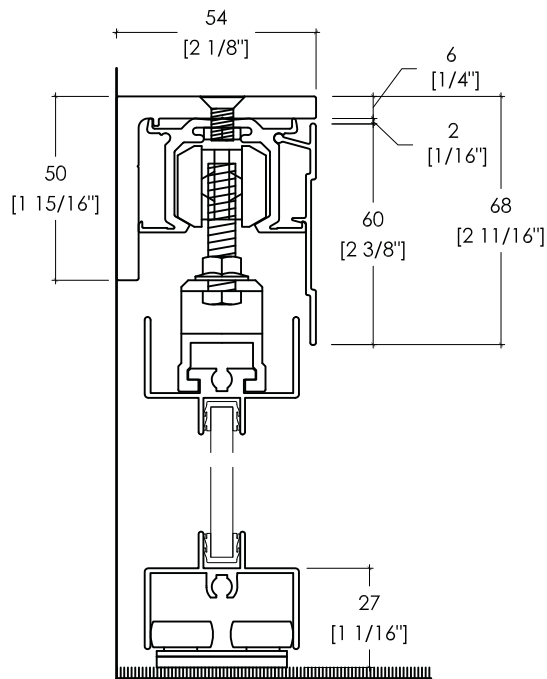
Not shown:

AIR Stopper with brake (2)

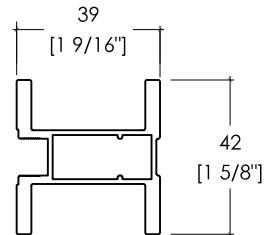
Door

- 4_ AIR roller (2)
- 5_ Fixation for top track (2)
- 6_ Top rail (1)
- 7_ Stile (2)
- 8_ Frame screw (4)
- 9_ Plug / cover (4)
- 10_ Brush gasket (one stile only)
- 11_ Panel (1)
- 12_ Panel gasket (all sides of panel)
- 13_ Bottom rail (1)
- 14_ Ground plate with roller (1)
- 15_ Ground plate without roller (1)

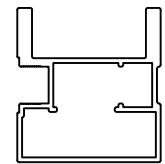
S3000 Section and stile detail / wall-mounted



Symmetrical



Asymmetrical



S3000 Stile

Finish

Standard: Clear anodized aluminum (silver)

Application

Residential / commercial projects

Dimensions

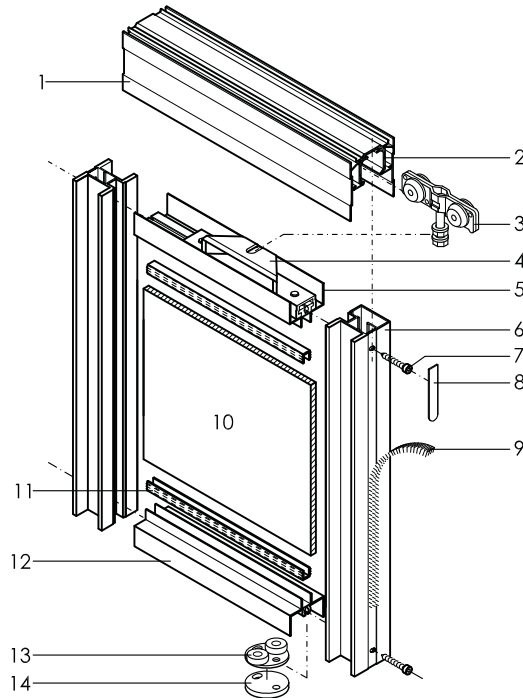
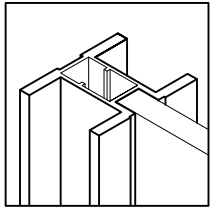
Max size 1219mm x 2743mm [4' x 9']

Max weight 60kg [130lbs]

Panel thickness 4mm [3/16"] to 10mm [3/8"]

*Door can not travel past ground plate with roller
Wall-mount for single doors only

2.4_ S3000 Isometric view / ceiling-mounted



Each wall-mounted sliding door is composed of the following:

Top track

- 1_ Valance (varies by order)
- 2_ Top track (varies by order)

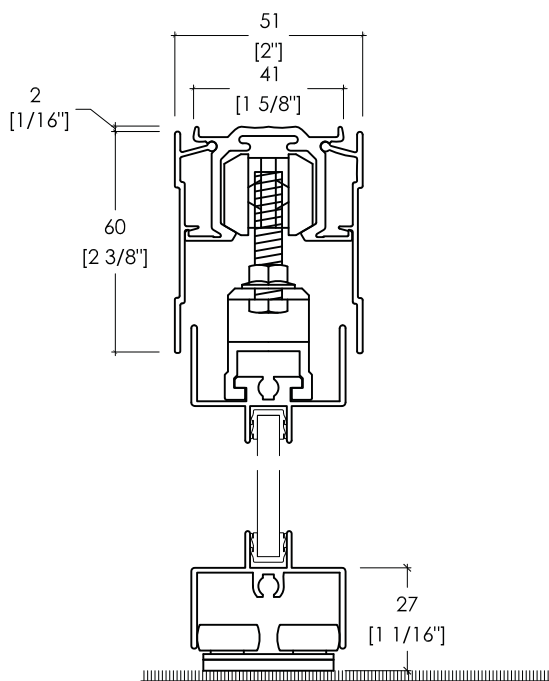
Not shown:

- AIR Stopper with brake (2)

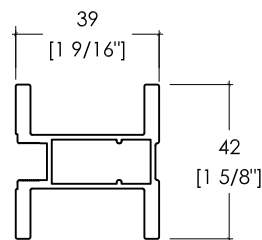
Door

- 3_ AIR roller (2)
- 4_ Fixation for top track (2)
- 5_ Top rail (1)
- 6_ Stile (2)
- 7_ Frame screw (4)
- 8_ Plug / cover (4)
- 9_ Brush gasket (one stile only)
- 10_ Panel (1)
- 11_ Panel gasket (all sides of panel)
- 12_ Bottom rail (1)
- 13_ Ground plate with roller (1)
- 14_ Ground plate without roller (1)

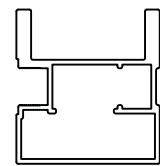
S3000 Section and stile detail / ceiling-mounted



Symmetrical



Asymmetrical



S3000 Stile

Finish

Standard: Clear anodized aluminum (silver)

Application

Residential / commercial projects

Dimensions

Max size 1219mm x 2743mm [4' x 9']

Max weight 60kg [130lbs]

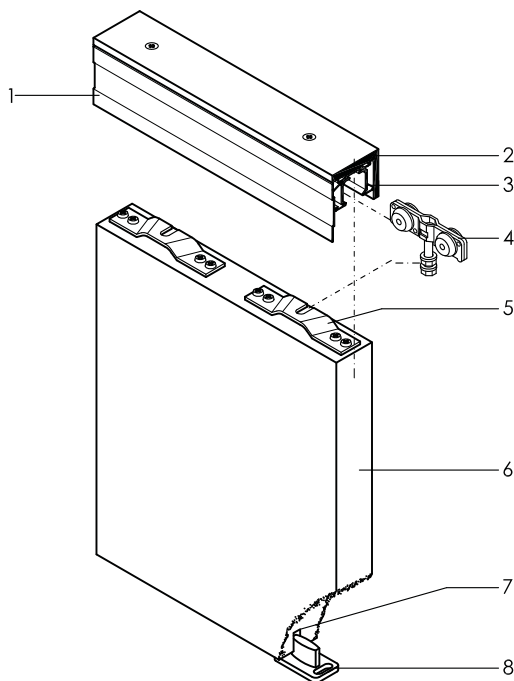
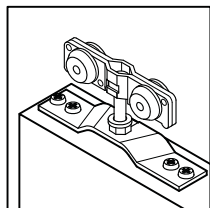
Panel thickness 4mm [3/16"] to 10mm [3/8"]

*Door can not travel past ground plate with roller

SYSTEM DESCRIPTION **AIR**

SLIDING DOOR SYSTEM

2.5_ AIR Solid door hardware isometric view / wall-mounted



Each wall-mounted sliding door is composed of the following:

Top track

- 1_ Valance (varies by order)
- 2_ Continuous L-bracket (varies by order)
- 3_ Top track (varies by order)

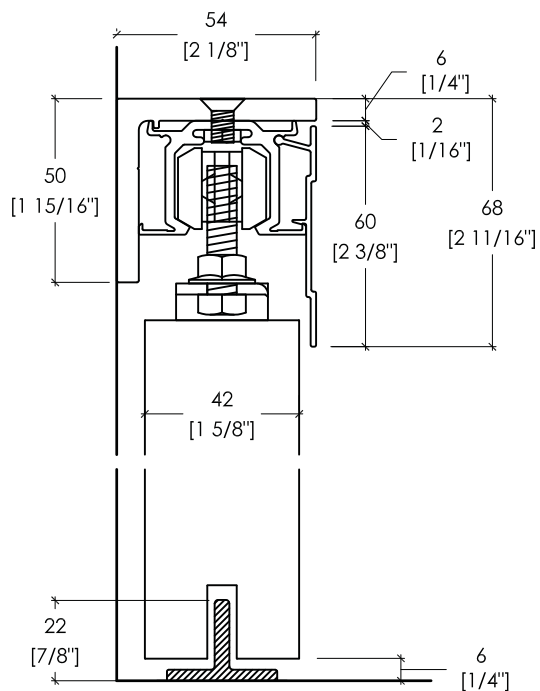
Not shown:

- AIR Stopper with brake (2)

Door

- 4_ AIR roller (2)
- 5_ AIR bracket (2)
- 6_ (Material by others)
- 7_ (Cut out slot for bottom guide)
- 8_ Solid door bottom guide (1)

AIR Solid door hardware section and stile detail / wall-mounted



AIR Solid door hardware

Finish

Standard: Clear anodized aluminum (silver)

Application

Residential / commercial projects

Dimensions

Max weight 60kg [130lbs]

Panel thickness min. 38mm [1 1/2"] to max. 42mm [1 5/8"]

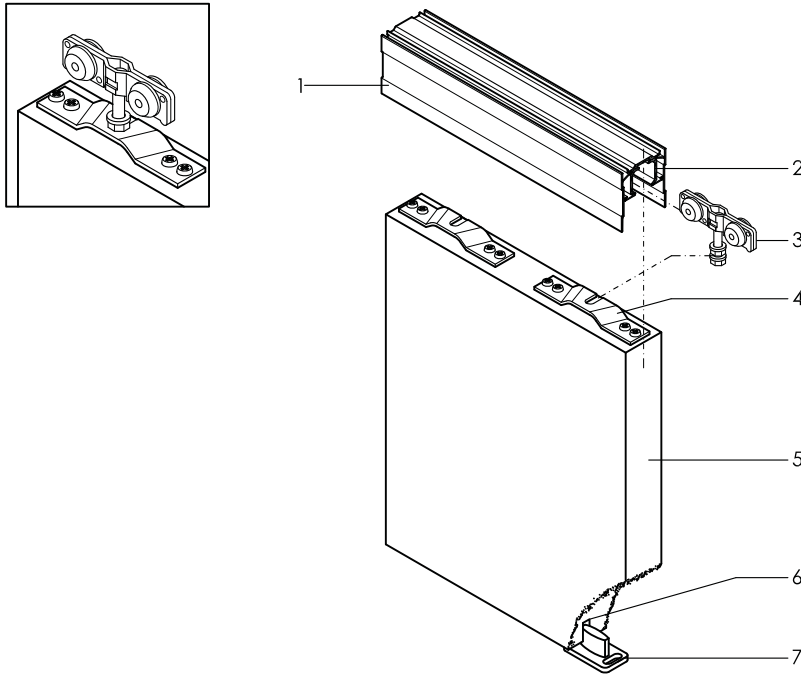
Included in hardware set (one door)

(2) AIR rollers, (2) AIR brackets, (2) AIR stoppers with brake, (1) Solid door bottom guide

*Top track, Valance and L-bracket sold separately

Wall-mount for single doors only

2.6_ AIR Solid door hardware isometric view / ceiling-mounted



Each sliding door is composed of the following:

Top track

- 1_ Valance (varies by order)
- 2_ Top track (varies by order)

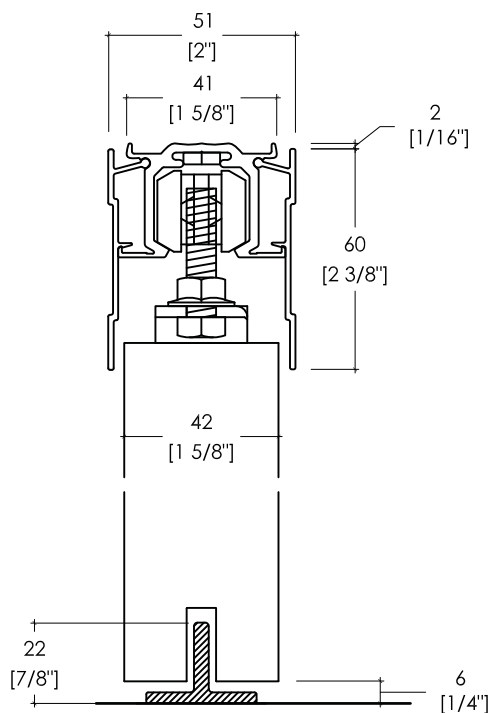
Not shown:

- AIR Stopper with brake (2)

Door

- 3_ AIR roller (2)
- 4_ AIR bracket (2)
- 5_ (Material by others)
- 6_ (Cut out slot for bottom guide)
- 7_ Solid door bottom guide (1)

AIR Solid door hardware section and stile detail / ceiling-mounted



AIR Solid door hardware
Finish Standard: Clear anodized aluminum (silver)
Application Residential / commercial projects
Dimensions Max weight 60kg [130lbs] Panel thickness min. 38mm [1 1/2 "] to max. 42mm [1 5/8 "]
Included in hardware set (one door) (2) AIR rollers, (2) AIR brackets, (2) AIR stoppers with brake, (1) Solid door bottom guide *Top track, Valance and L-bracket sold separately

SYSTEM DESCRIPTION_ AIR

SLIDING DOOR SYSTEM

3_ Profile finishes

3.1_ Standard finish _ Clear anodized aluminum (silver)

A factory applied finish, anodizing increases wear resistance and gives the surface a smooth matte aluminum appearance. Color for representation purposes only.



Standard finish
Clear anodized (silver)

4_ Panels

4.1_ MDF

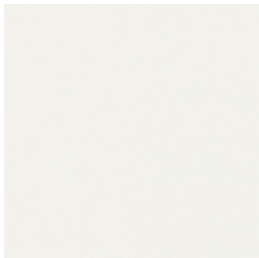
Medium density fiberboard (MDF) is an engineered wood product made of wood fibers, wax and resin. MDF is an ideal surface for painting, application of direct glue wall-covering, or a base for upholstered panels. Maximum size 1219mm x 2438mm [4'-0" x 8'-0"]. Color for representation purposes only.



MDF
6mm [1/4"]

4.2_ Decor

Melamine Décor is a thin single melamine paper bonded to particle board; this is also referred to as direct pressure laminate. Maximum size 1219mm x 2438mm [4'-0" x 8'-0"]. Single-sided only. Colors for representation purposes only.



White
6mm [1/4"]

4.3_ Magnetic marker board

Double-sided magnetic marker board is a white dry erase board. Maximum size 914mm x 2134mm [3'-0" x 7'-0"]. Color for representation purposes only.



6mm [1/4"]

SYSTEM DESCRIPTION_ AIR

SLIDING DOOR SYSTEM

4.4_ Plastic laminate

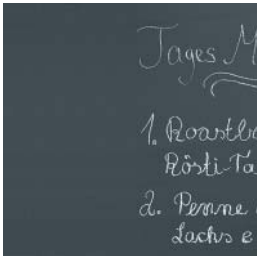
Plastic laminate is made from layers of resin-impregnated paper topped with a decorative melamine surface, and then pressed into sheets under extreme pressure and heat. Panels when mounted to a MDF core are approximately 3/8" thick. Manufacturers include, but are not limited to: Abet Laminati, Formica, Lamin-Art, Nevamar, Pionite and Wilsonart. Maximum size 1219mm x 2438mm (4'-0" x 8'-0") Available single- and double-sided. Colors for representation purposes only.



8mm [5/16"]

4.5_ Chalk board

Single-sided black chalk board. Maximum size 1219mm x 2438mm [4'-0" x 8'-0"]. Single-sided only. Color for representation purposes only.



6mm [1/4"]

4.6_ Veneer

Vertical grain wood veneer panels are available single or double-sided and comprised of engineered wood. Maximum size 1219mm x 2438mm [4'-0" x 8'-0"]. Colors for representation purposes only. All panels have a satin clear-coat finish.






				
Quarter cut maple VE-QM-001 8mm [5/16"]	Quarter cut golden teak VE-QGT-001 8mm [5/16"]	Quarter cut zebrano VE-Q2-001 8mm [5/16"]	Quarter cut white oak VE-QW0-001 8mm [5/16"]	Flat cut cherry VE-FC-001 8mm [5/16"]
				
Quarter cut wenge VE-QW-001 8mm [5/16"]	Quarter cut teak VE-QT-001 8mm [5/16"]	Ribbon sapele VE-RS-001 8mm [5/16"]	Quarter cut dark walnut VE-QDW-001 8mm [5/16"]	

SYSTEM DESCRIPTION_ AIR

SLIDING DOOR SYSTEM



4.7_ Laminated glass

Laminated glass, often referred to as "safety glass", is strong and durable and designed to maintain its integrity in the event of breakage. Maximum size 1219mm x 2743mm [4' x 9']. Colors for representational purposes only.

				
Clear 6mm [1/4"]	Cool white 6mm [1/4"]	Diffused white 6mm [1/4"]	Polar white 6mm [1/4"]	Grey 6mm [1/4"]

4.8_ Tempered glass

Tempered glass is manufactured to exact size and is stronger than regular glass. If broken the glass shatters into small fragments instead of sharp shards. Maximum size 1219mm x 2743mm [4'-0" x 9'-0"]. Colors for representation purposes only.

				
Clear 6mm [1/4"]	Satin etched 6mm [1/4"]			

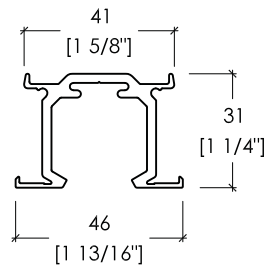
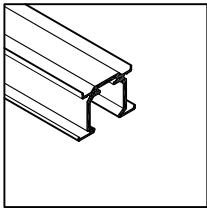
4.9_ Mirrored glass

Silver mirror backed with a safety film. Single-sided mirror only, best used for closets. Maximum size 1219mm x 2743mm [4'-0" x 9'-0"]. Colors for representation purposes only.

				
Mirror 4mm [5/32"]				

5_ Top tracks

5.1_ AIR Top track



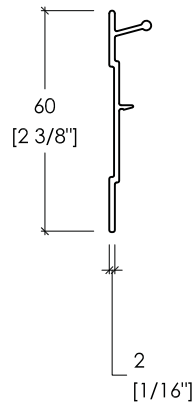
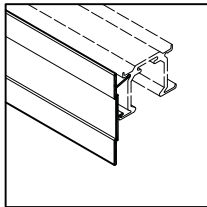
14.55.020

AIR Top track

Finish
Standard

Description
Ceiling- or wall-mounted (add continuous L-bracket and wall-mounted end caps)
Max length 4877mm [16'-0"]
Note: If recessing top track please allow an additional 5" width for adjustment of doors.

5.2_ AIR Valance



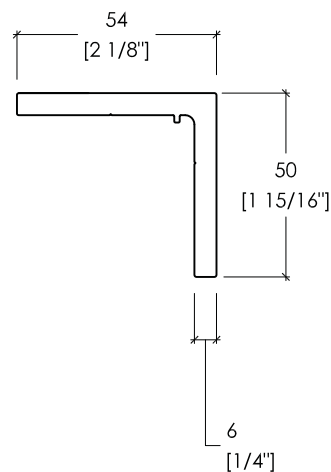
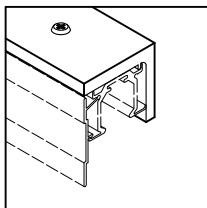
14.50.020

AIR Valance

Finish
Standard

Description
Use on one or both sides of track
Max length 4877mm [16'-0"]

5.3_ AIR Continuous L-bracket



14.54.020

AIR Continuous L-bracket

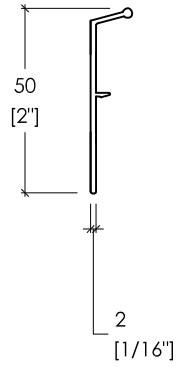
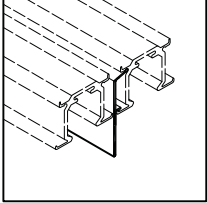
Finish
Standard

Description
Wall-mounted bracket for AIR Top track
Prepared for assembly, includes track-to-bracket fasteners
Max length 4877mm [16'-0"]
Wall-mount for single doors only

SYSTEM DESCRIPTION_ AIR

SLIDING DOOR SYSTEM

5.4_ AIR Middle valance



14.53.020

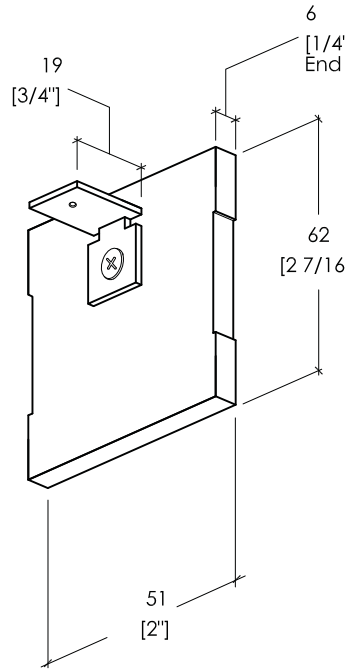
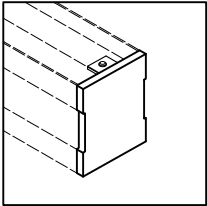
AIR Middle valance

Finish
Standard

Description
Optional: Use between AIR tracks
Max length 4877mm [16'-0"]

6_ Accessories

6.1_ AIR End cap for top track / ceiling-mounted



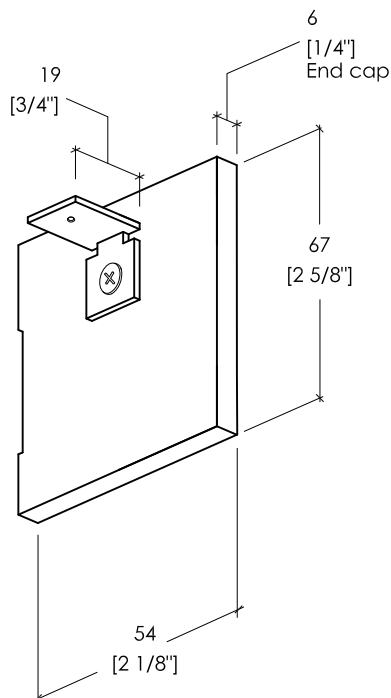
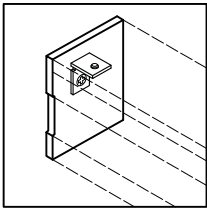
ACC-AIR-ECB

AIR End cap for single top track / ceiling-mounted

Finish
Standard

Description
For ceiling-mounted top tracks
Includes (1) single end cap
(1) bracket, (1) bracket-to-end cap screw, and (1) set screw

6.2_ AIR End cap for top track / wall-mounted, left



ACC-AIR-ECL

AIR End cap for top track / wall-mounted, left

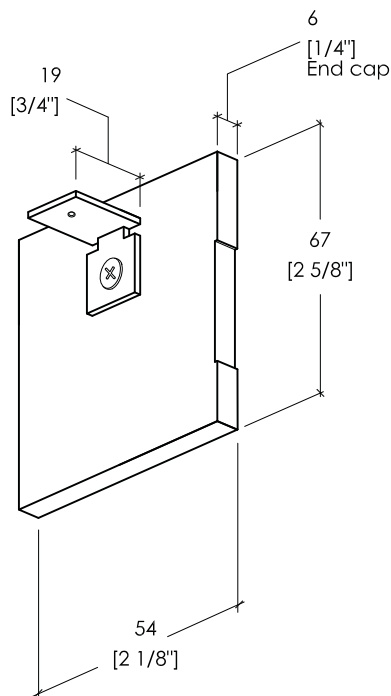
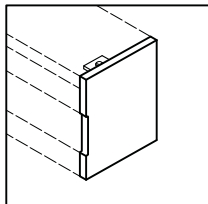
Finish
Standard

Description
For wall-mounted top tracks
Includes (1) single end cap
(1) bracket, (1) bracket-to-end cap screw, and (1) set screw

SYSTEM DESCRIPTION_ AIR

SLIDING DOOR SYSTEM

6.3_ AIR End cap for top track / wall-mounted, right



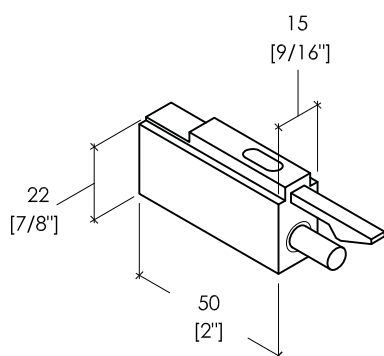
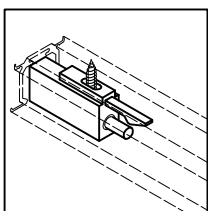
ACC-AIR-ECR

AIR End cap for top track / wall-mounted, right

Finish
Standard

Description
For wall-mounted top tracks
Includes (1) single end cap,
(1) bracket, (1) bracket-to-end cap
screw, and (1) set screw

6.4_ AIR Stopper with brake

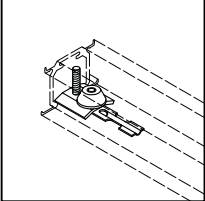
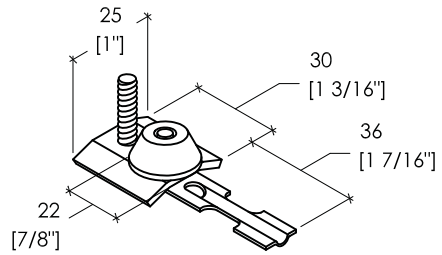
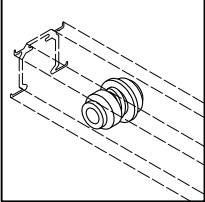

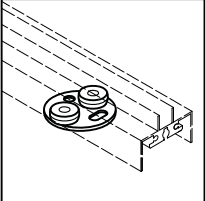
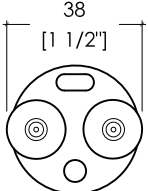
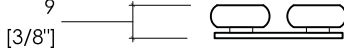


10.05.017

AIR Stopper with brake

Finish
Black plastic

Description
Used for stopping door and
holding in the closed position
Includes 1 mounting screw

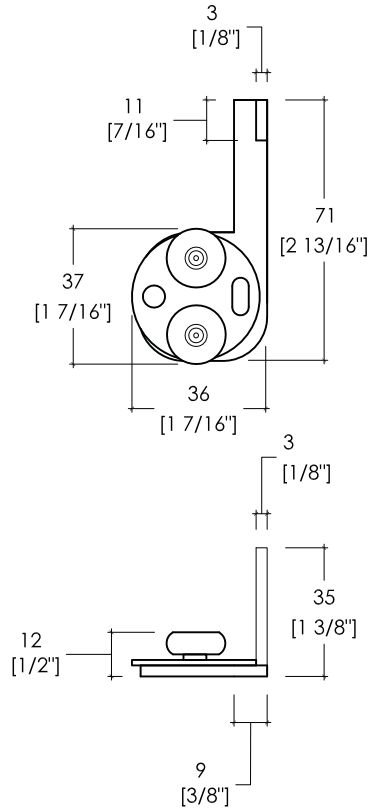
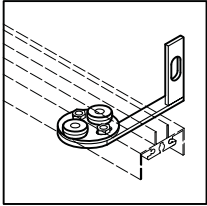
6.5_ AIR Stopper with positioner	
	<div style="text-align: center;">  </div>
6.6_ AIR Brake	
	<div style="text-align: center;">  </div>
6.7_ AIR Ground plate with roller	
	<div style="text-align: center;">  </div> <div style="text-align: center; margin-top: 20px;">  </div>
10.05.015	
AIR Stopper with positioner	
Finish Steel and black rubber	
Description May be used in place of AIR Stopper with brake *Standard stopper for Healthcare	
10.05.030	
AIR Brake	
Finish Black plastic	
Description Used between top rollers to slow doors over 41 kilo [90 lbs] *Standard brake for Healthcare	
10.06.030	
AIR Ground plate with roller	
Finish Steel and nylon	
Description Concealed under bottom rail, keeps door in line Floor fasteners not included * Door can not travel past ground plate with roller * See 7_ Diagram Alignment	

SYSTEM DESCRIPTION_ AIR

SLIDING DOOR SYSTEM

6.8_ AIR Ground plate without roller	
	10.05.025
	AIR Ground plate without roller
	Finish Steel
	Description Used as shim beneath AIR Ground plate with roller
6.9_ AIR Break-away guide	
	10.06.032
	AIR Break-away guide
	Finish Grey plastic
	Description Break-away shim used beneath AIR ground plate with roller. OSPHD approved *Door can not travel past ground plate with roller
6.10_ AIR Break-away guide	
	10.05.022
	AIR Wall-mounted ground plate with roller
	Finish Aluminum
	Description Used when ground plate may not be attached to floor *Door can not travel past ground plate with roller * See 7_ Diagram Alignment

6.11_ AIR S1500 Ganging device, left



10.05.070

AIR S1500 Ganging device, left

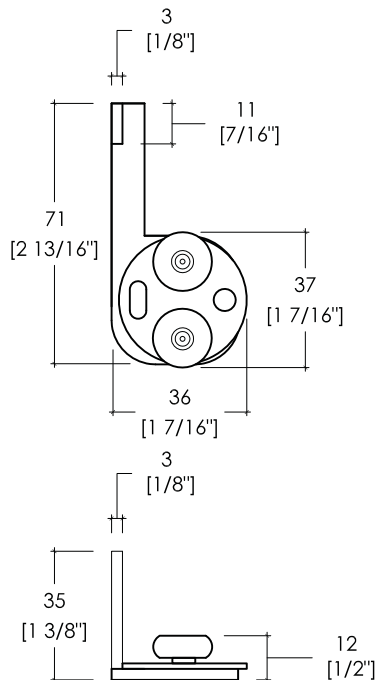
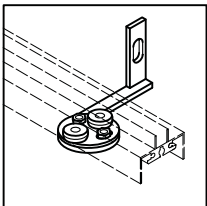
Finish

Steel and nylon

Description

Gangs one door to another door hanging from a second track
Limited to two doors ganged together
* See 7_ Diagram Alignment

6.12_ AIR S1500 Ganging device, right



10.05.071

AIR S1500 Ganging device, right

Finish

Steel and nylon

Description

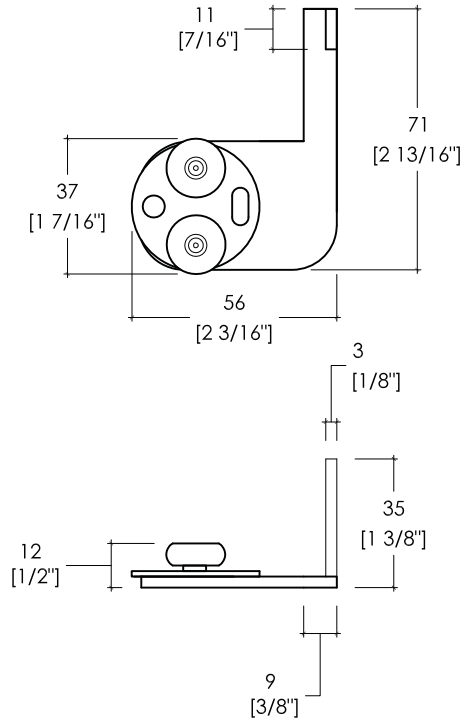
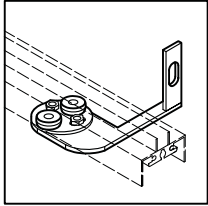
Gangs one door to another door hanging from a second track
Limited to two doors ganged together
* See 7_ Diagram Alignment

SYSTEM DESCRIPTION_ AIR

SLIDING DOOR SYSTEM

System description_ AIR_ S1500, S3000, Solid Door hardware
Sliding door system

6.13_ AIR S3000 Ganging device, left



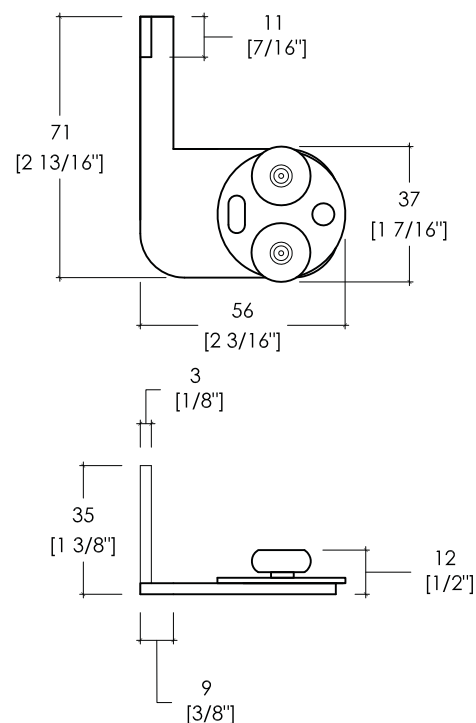
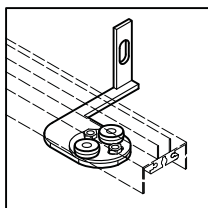
10.05.072

AIR S3000 Ganging device, left

Finish
Standard

Description
Gangs one door to another door hanging from a second track
Limited to two doors ganged together
* See 7_ Diagram Alignment

6.14_ AIR S3000 Ganging device, right



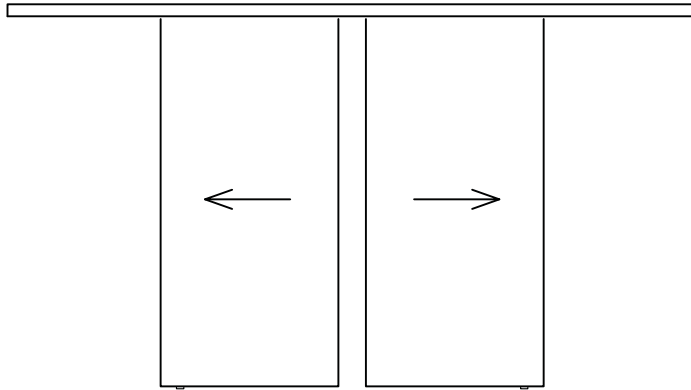
10.05.073

AIR S3000 Ganging device, right

Finish
Steel and nylon

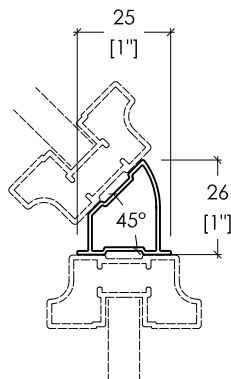
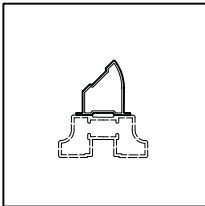
Description
Gangs one door to another door hanging from a second track
Limited to two doors ganged together
* See 7_ Diagram Alignment

6.15_ AIR Synchro



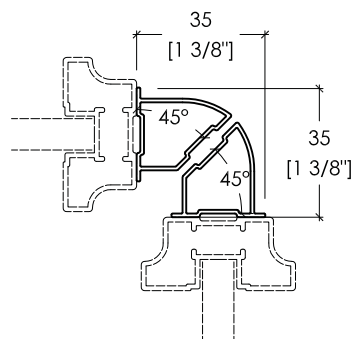
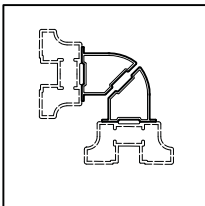
10.06.060
AIR Synchro
Finish Steel and plastic
Description Concealed pulley system which enables two doors on same track to be opened or closed simultaneously by pulling on just one door

6.16_ 45° Corner profile



14.07.020
45° Corner profile
Finish Standard
Description Provided with adhesive backing

6.17_ 90° Corner profile

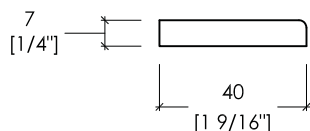
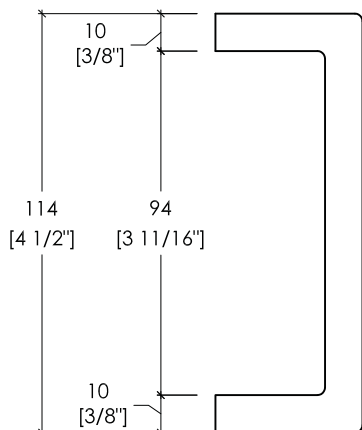
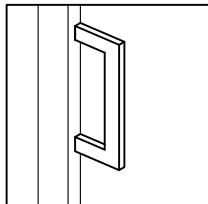


14.07.020
90° Corner profile
Finish Standard
Description Provided with adhesive backing

SYSTEM DESCRIPTION_ AIR

SLIDING DOOR SYSTEM

6.18_ Half rectangle applied handle



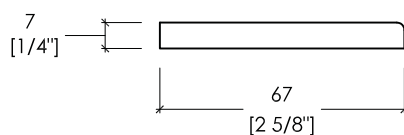
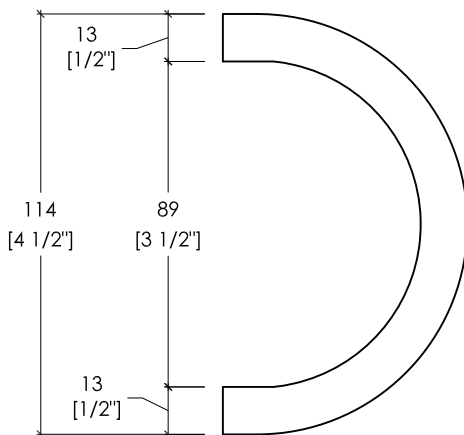
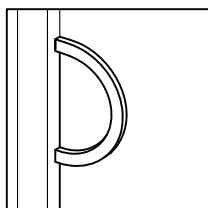
10.01.093

Half rectangle applied handle

Finish
Standard

Description
Provided with adhesive backing

6.19_ Half circle applied handle



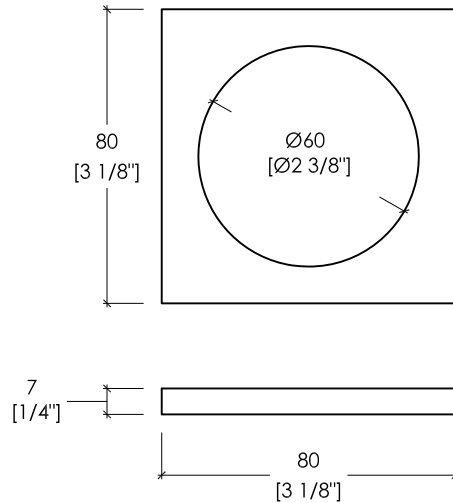
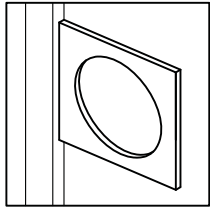
10.01.094

Half circle applied handle

Finish
Standard

Description
Provided with adhesive backing

6.20_ Square with circle cut-out applied handle



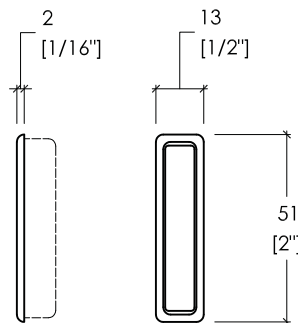
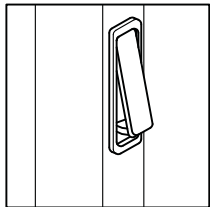
10.02.091

Square with circle cut-out applied handle

Finish
Standard

Description
Provided with adhesive backing which requires on-site trimming

6.21_ Pocket pull



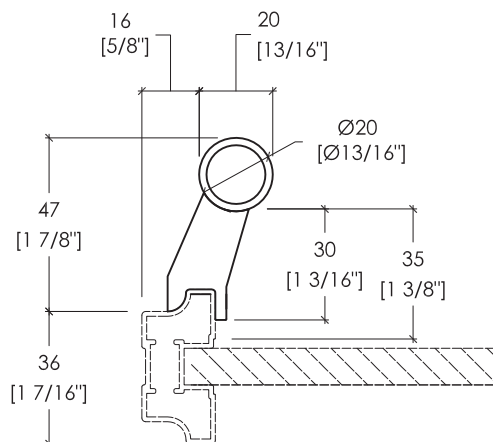
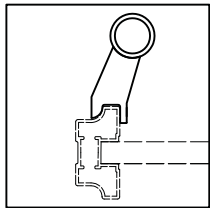
10.01.047

Pocket pull

Finish
Standard

Description
Used with pocket doors

6.22_ Rod handle for S1500



ACC-RDH-1500

Rod handle for S1500

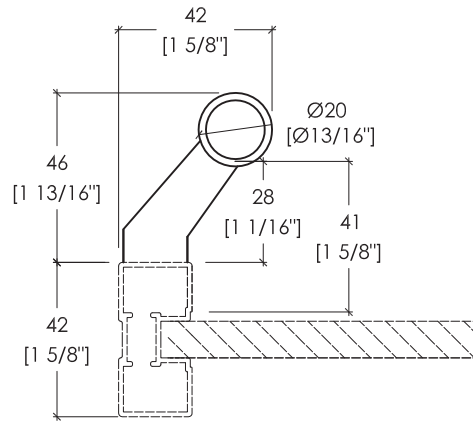
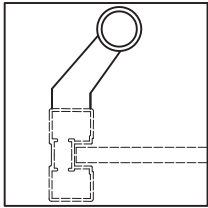
Finish
Standard

Description
Adds vertical rod handle to S1500
*Includes plastic silver end caps
*Available in 305mm [1'-0"] increments
Handle offsets per foot:
305 [1']-2, 610 [2']-3, 914 [3']-4,
1219 [4']-5, 1524 [5']-5,
1829 [6']-6, 2134 [7']-6,
2438[8']-7, 2743 [9']-7

SYSTEM DESCRIPTION **AIR**

SLIDING DOOR SYSTEM

6.23_Rod handle for S1500 square



ACC-RDH-1500SQ

Rod handle for S1500 Square

Finish

Standard

Description

Adds rod handle to S1500 Square

*Includes plastic silver end caps

*Available in 305mm [1'-0"]

increments

Handle offsets per foot:

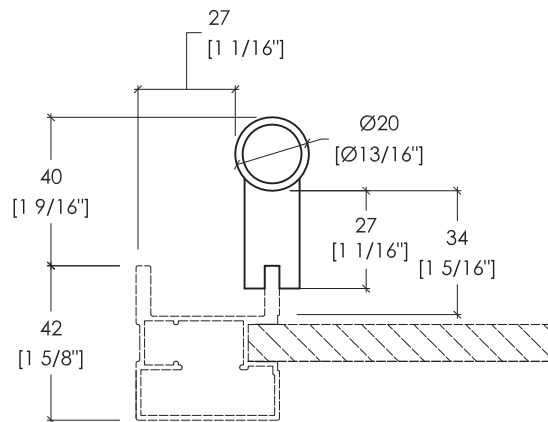
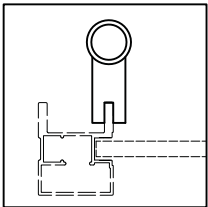
305 [1']-2, 610 [2']-3, 914 [3']-4,

1219 [4']-5, 1524 [5']-5,

1829 [6']-6, 2134 [7']-6,

2438[8']-7, 2743 [9']-7

6.24_Rod handle for S300 / S3000



ACC-RDH-3000

Rod handle for S300 / S3000

Finish

Standard

Description

Adds vertical rod handle to S3000

*Includes plastic silver end caps

*Available in 305mm [1'-0"]

increments

Handle offsets per foot:

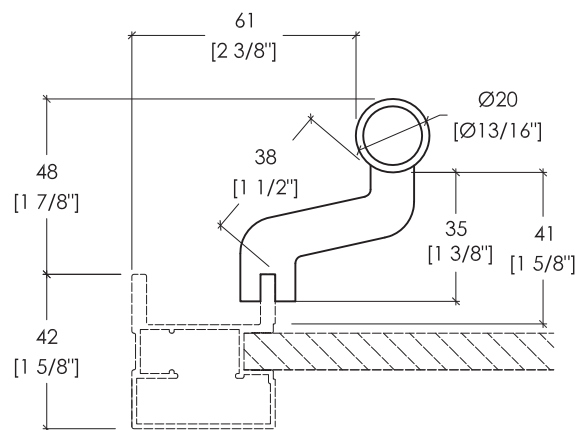
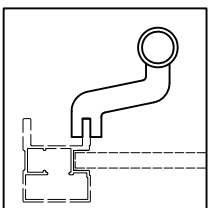
305 [1']-2, 610 [2']-3, 914 [3']-4,

1219 [4']-5, 1524 [5']-5,

1829 [6']-6, 2134 [7']-6,

2438[8']-7, 2743 [9']-7

6.25_ ADA handle for S300 / S3000



ACC-RDH-ADA

ADA handle for S300 / S3000

Finish

Standard

Description

ADA bracket with rod handle complies with ADA requirements for sliding door handles, verify with local jurisdictions

*Includes plastic silver end caps

*Available in 305mm [1'-0"]

increments

Handle offsets per foot:

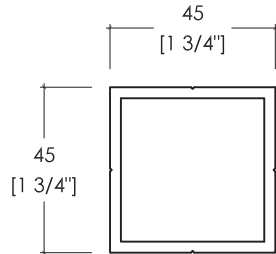
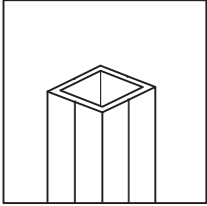
305 [1']-2, 610 [2']-3, 914 [3']-4,

1219 [4']-5, 1524 [5']-5,

1829 [6']-6, 2134 [7']-6,

2438[8']-7, 2743 [9']-7

6.26_ Post



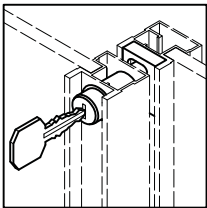
ACC-ST-20

Post

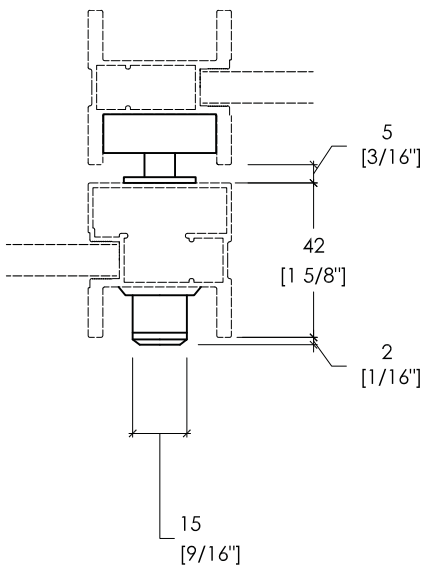
Finish
Standard

Description
Non supporting. Use in conjunction with lock, corner or jamb.
Max length 3048mm [10'-0"]
Includes 3 mounting blocks

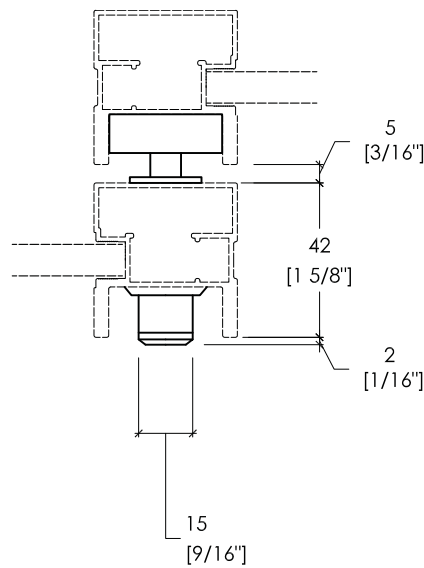
6.27_ Frame lock for S3000



Symmetrical



Asymmetrical



ACC-FLK-3000

Frame lock for S3000

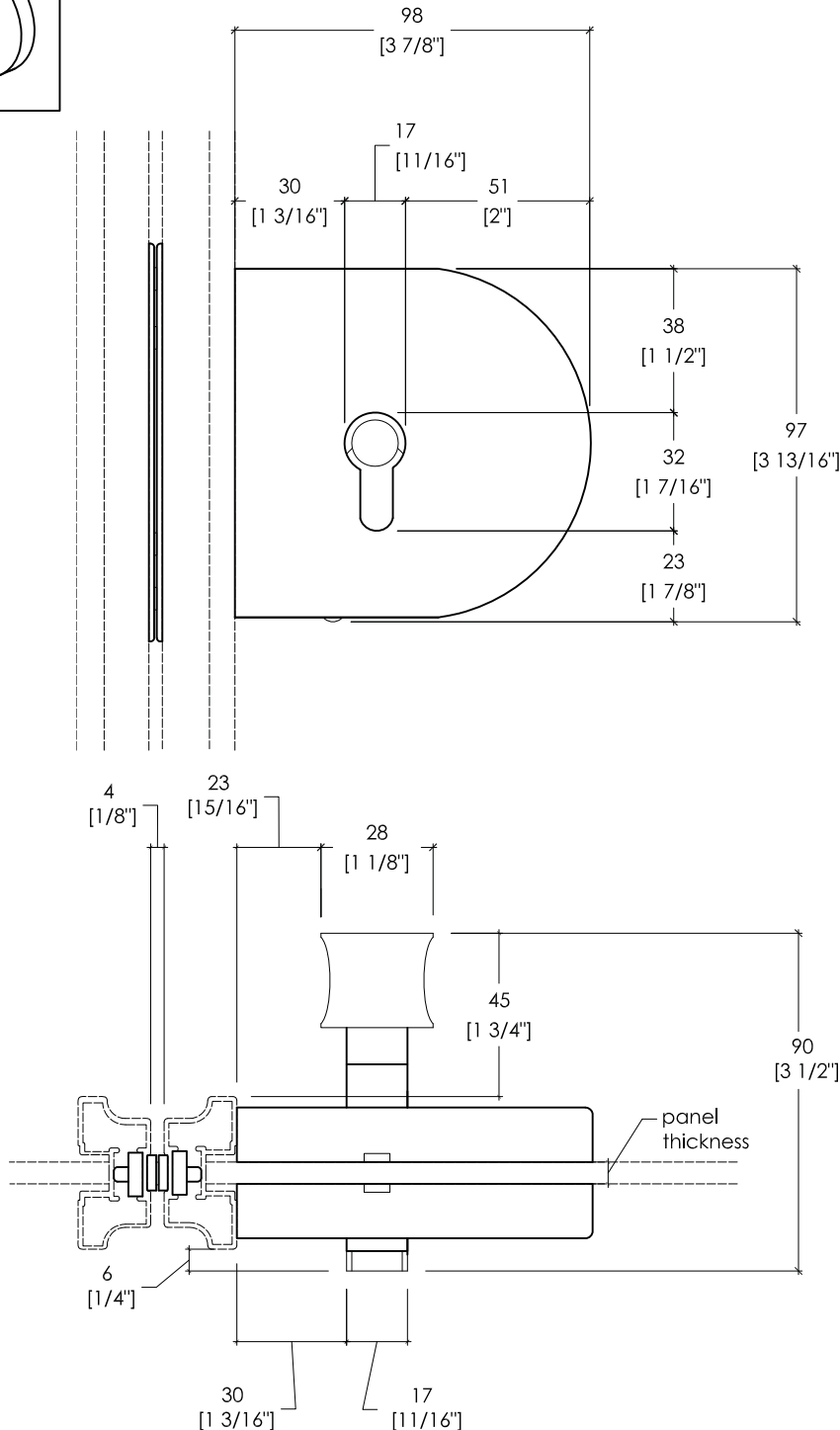
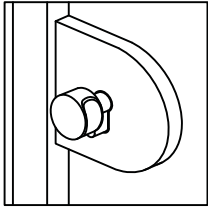
Finish
Standard

Description
Locks S300 asymmetrical stile to S300 stile of choice
Allows multiple panels to be locked together.
Specify symmetrical or asymmetrical for second stile
Includes S300 Lock plate (10.01.153)
Key cylinder is by ABUS.
Blank keys are available from raumplus.
Cylinders are not compatible with Schlage.
Locks not suitable for healthcare environments.
* Please check with local building code for egress

SYSTEM DESCRIPTION **AIR**

SLIDING DOOR SYSTEM

6.28_ Panel Lock, thumb-turn for S1500



ACC-PLT-1500

Panel Lock for S1500

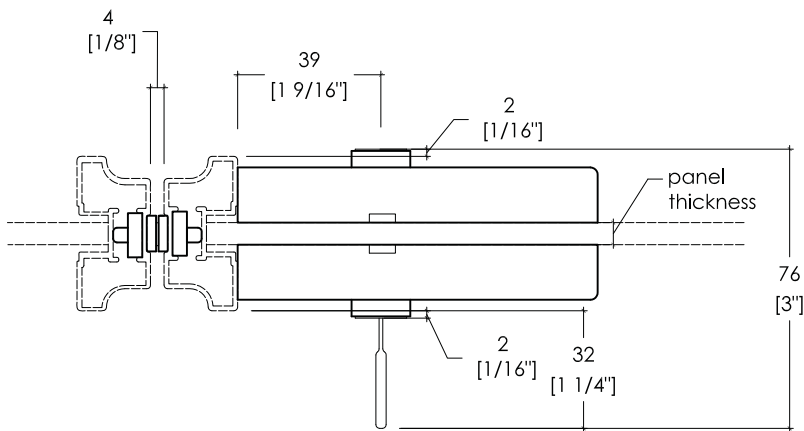
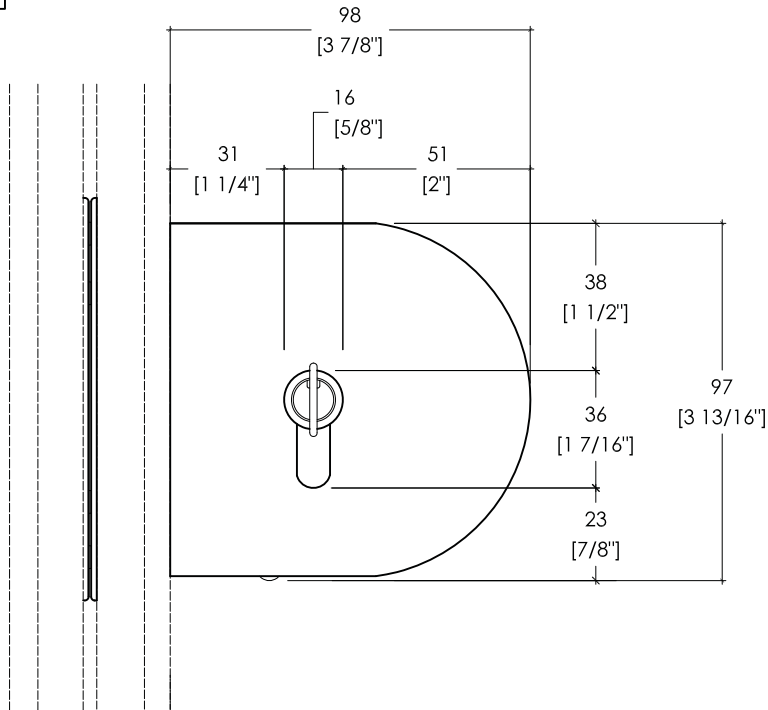
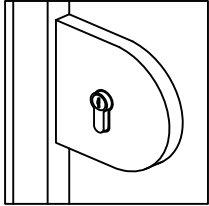
Finish

Standard

Description

Locks two panels together on the same track or one panel to jamb. Key cylinder is by ABUS. Blank keys are available from raumplus. Cylinders are not compatible with Schlage. Locks not suitable for healthcare environments. * Please check with local building code for egress

6.29_ Panel Lock, key-lock for S1500



ACC-PLK-1500

Panel Lock for S1500

Finish

Standard

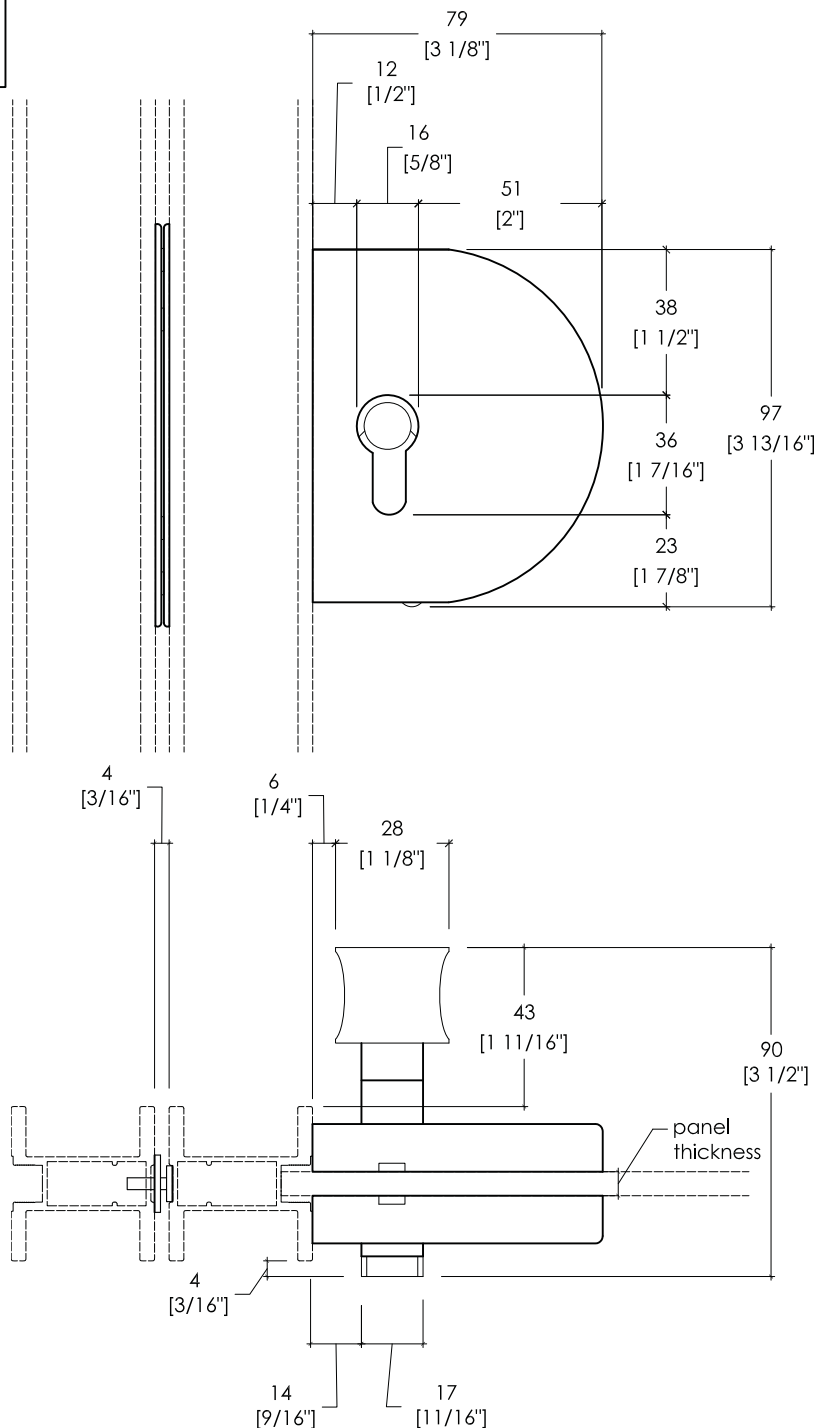
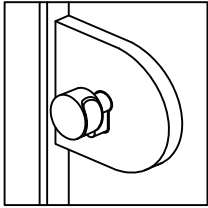
Description

Locks two panels together on the same track or one panel to jamb. Key cylinder is by ABUS. Blank keys are available from raumplus. Cylinders are not compatible with Schlage. Locks not suitable for healthcare environments. * Please check with local building code for egress

SYSTEM DESCRIPTION **AIR**

SLIDING DOOR SYSTEM

6.30_ Panel Lock, thumb-turn for S3000



ACC-PLT-3000

Panel Lock for S3000

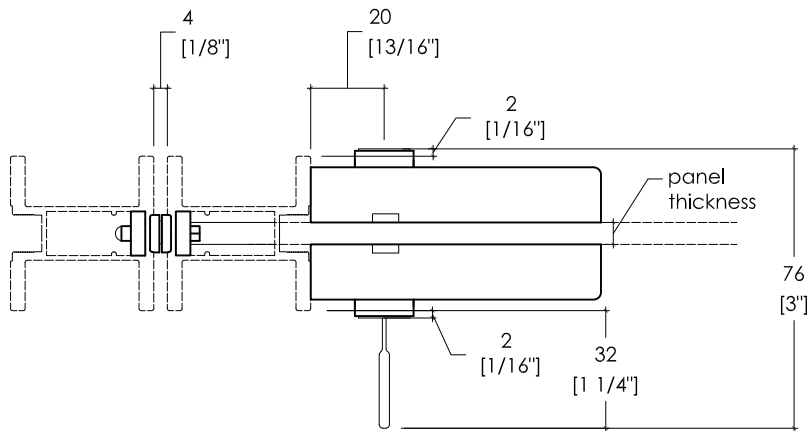
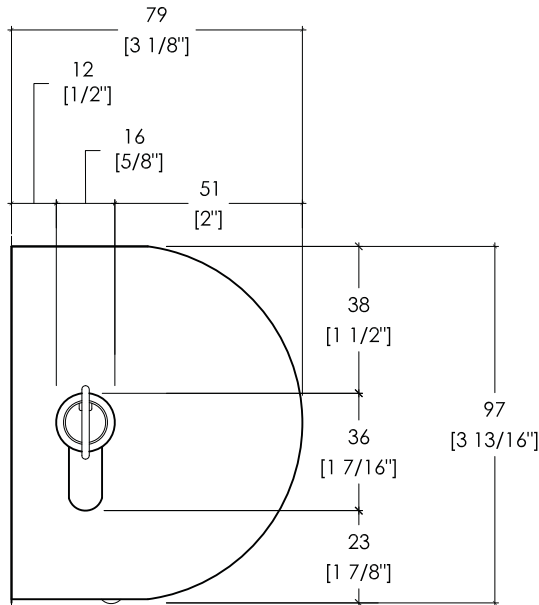
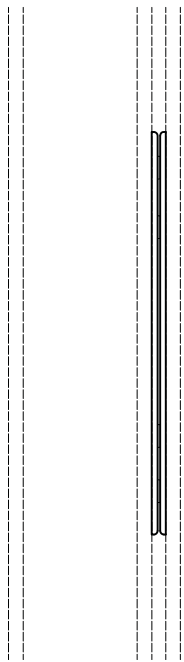
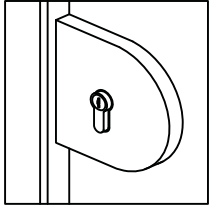
Finish

Standard

Description

Locks two panels together on the same track or one panel to jamb. Key cylinder is by ABUS. Blank keys are available from raumplus. Cylinders are not compatible with Schlage. Locks not suitable for healthcare environments. * Please check with local building code for egress

6.31_ Panel Lock, key-lock for S3000



ACC-PLK-3000

Panel Lock for S3000

Finish

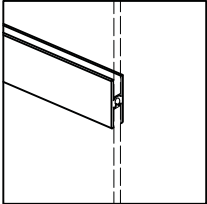
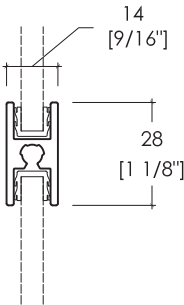
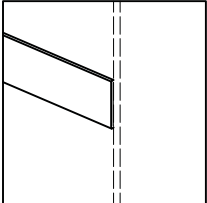
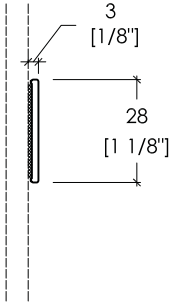
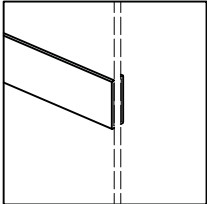
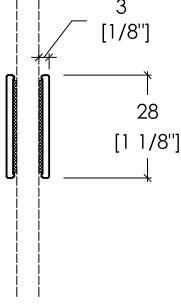
Standard

Description

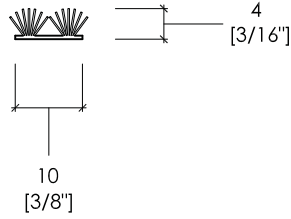
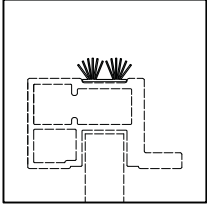
Locks two panels together on the same track or one panel to jamb. Key cylinder is by ABUS. Blank keys are available from raumplus. Cylinders are not compatible with Schlage. Locks not suitable for healthcare environments. * Please check with local building code for egress

SYSTEM DESCRIPTION_ AIR

SLIDING DOOR SYSTEM

6.32_ True dividing rail					
					
	<table border="1" style="width: 100%; border-collapse: collapse;"> <tr> <td style="padding: 2px;">13.22.020</td> </tr> <tr> <td style="padding: 2px;">True dividing rail</td> </tr> <tr> <td style="padding: 2px;">Finish Standard</td> </tr> <tr> <td style="padding: 2px;">Description Use to partition different materials horizontally or *vertically within a door *Consult Raumplus for vertical partitioning, cannot combine horizontal and vertical true dividers within one door Note: Frame kits not drilled for dividers</td> </tr> </table>	13.22.020	True dividing rail	Finish Standard	Description Use to partition different materials horizontally or *vertically within a door *Consult Raumplus for vertical partitioning, cannot combine horizontal and vertical true dividers within one door Note: Frame kits not drilled for dividers
13.22.020					
True dividing rail					
Finish Standard					
Description Use to partition different materials horizontally or *vertically within a door *Consult Raumplus for vertical partitioning, cannot combine horizontal and vertical true dividers within one door Note: Frame kits not drilled for dividers					
6.33_ Single-sided applied dividing rail					
					
	<table border="1" style="width: 100%; border-collapse: collapse;"> <tr> <td style="padding: 2px;">13.33.020</td> </tr> <tr> <td style="padding: 2px;">Single-sided applied dividing rail</td> </tr> <tr> <td style="padding: 2px;">Finish Standard</td> </tr> <tr> <td style="padding: 2px;">Description Provided with adhesive backing Applied divider can be used horizontally or vertically</td> </tr> </table>	13.33.020	Single-sided applied dividing rail	Finish Standard	Description Provided with adhesive backing Applied divider can be used horizontally or vertically
13.33.020					
Single-sided applied dividing rail					
Finish Standard					
Description Provided with adhesive backing Applied divider can be used horizontally or vertically					
6.34_ Double-sided applied dividing rail					
					
	<table border="1" style="width: 100%; border-collapse: collapse;"> <tr> <td style="padding: 2px;">13.33.020</td> </tr> <tr> <td style="padding: 2px;">Double-sided applied dividing rail</td> </tr> <tr> <td style="padding: 2px;">Finish Standard</td> </tr> <tr> <td style="padding: 2px;">Description Provided with adhesive backing Applied divider can be used horizontally or vertically</td> </tr> </table>	13.33.020	Double-sided applied dividing rail	Finish Standard	Description Provided with adhesive backing Applied divider can be used horizontally or vertically
13.33.020					
Double-sided applied dividing rail					
Finish Standard					
Description Provided with adhesive backing Applied divider can be used horizontally or vertically					

6.35_ Brush gasket



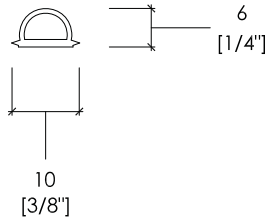
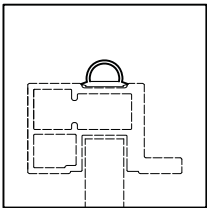
10.07.023 (2.6m)
10.07.024 (3m)

Brush gasket

Finish
Grey

Description
Used to cushion against wall, door or post
One side standard, per door
Includes two clips
*2.6m [8'-6 3/8"]
3m [9'-10 1/8"]

6.36_ Rubber gasket



10.26.070

Rubber gasket

Finish
Grey

Description
Used to cushion against wall, door or post
Specify if substituting for standard brush gasket
*Cut to order

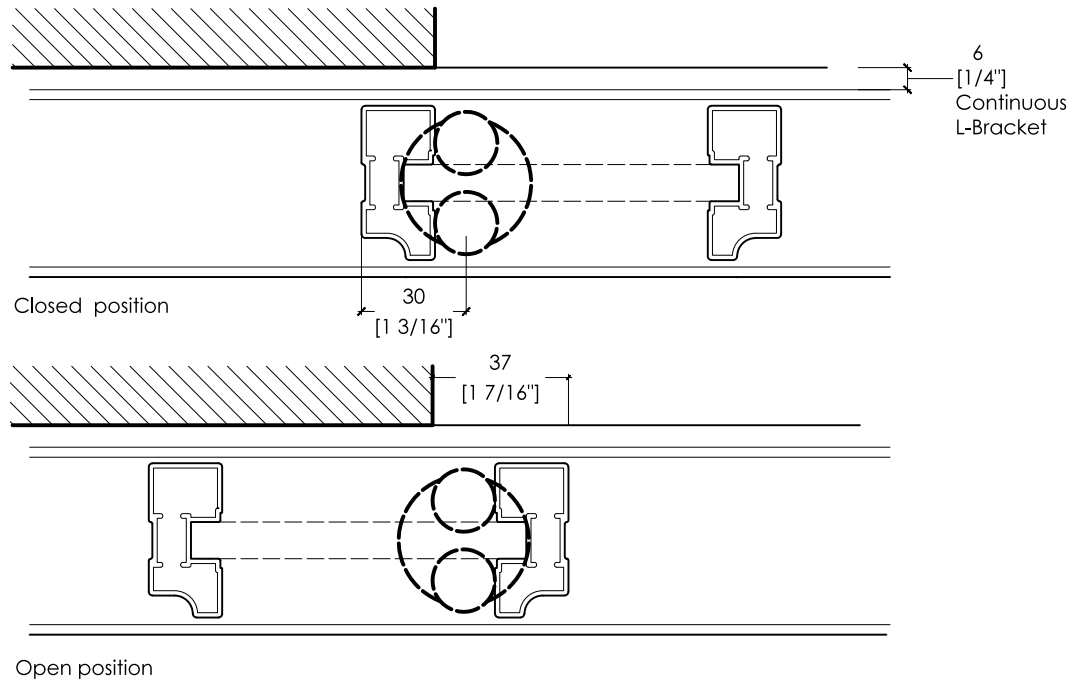
SYSTEM DESCRIPTION **AIR**

SLIDING DOOR SYSTEM

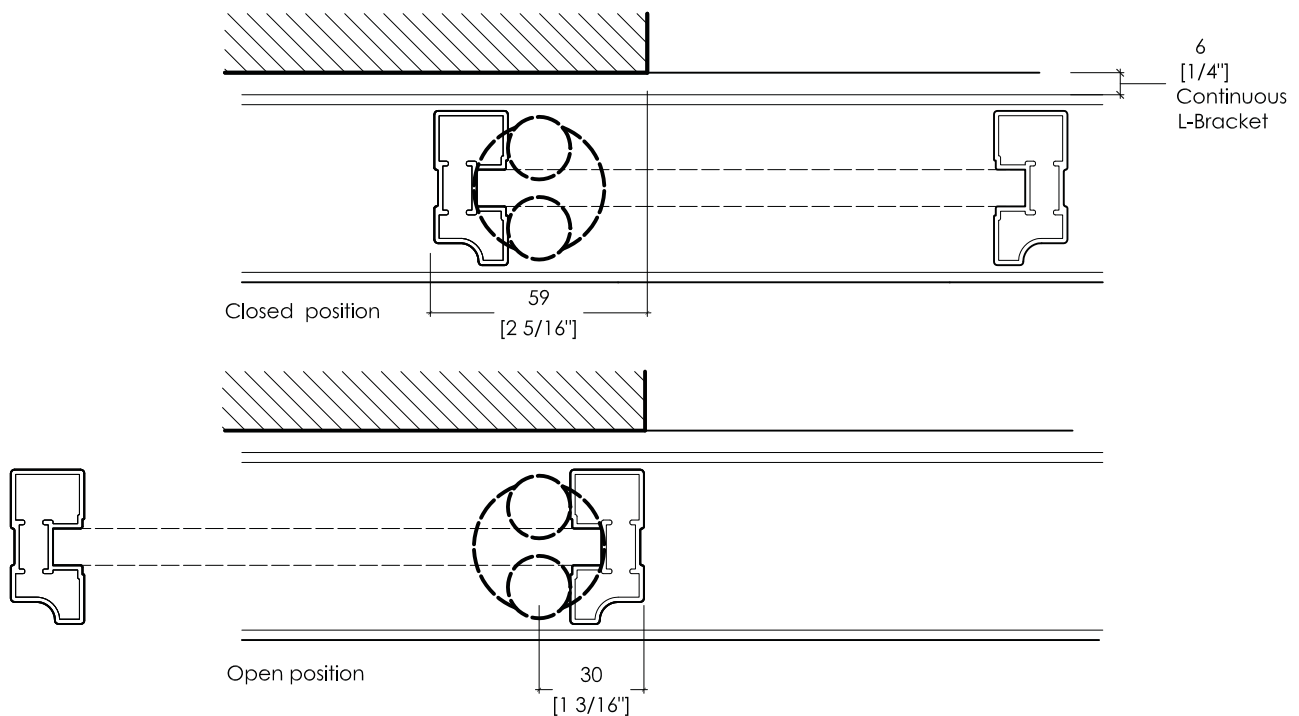
7_ Diagrams_Alignment

7.1_ S1500 Alignment options / wall-mounted, typical and oversized overlap

Typical overlap

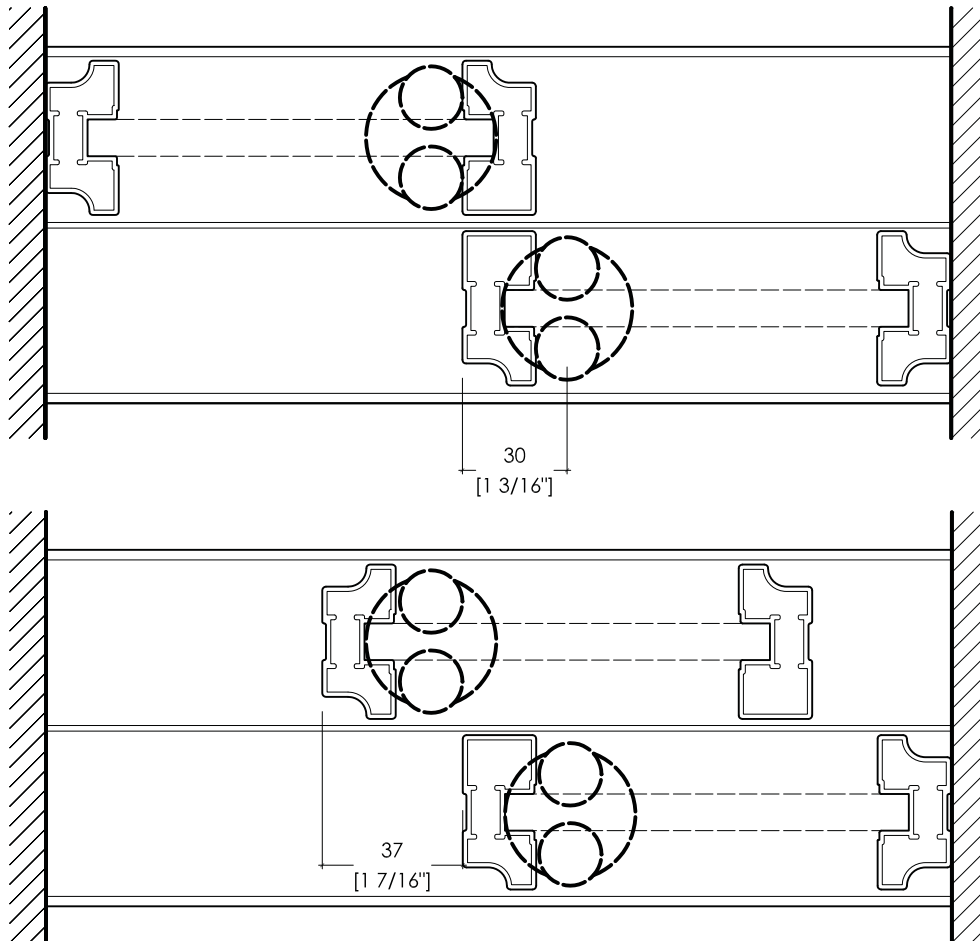


Oversized overlap



NOTE: Door can not travel past floor guide. To clear opening you must oversize the door.

7.2_ S1500 Alignment / offset bypass



7.3_ S1500 Alignment notes

Each AIR door is held in vertical plane at three points: the two top rollers and the ground plate with roller (floor guide).

For wall-mounted doors, with a **typical overlap** (one stile each side of opening) the door will project into the opening by 37mm [1 7/16"] when in the open position. To fully clear the opening, a door must be **oversized** with an overlap on one side at a minimum of 59mm [2 5/16"]. For a symmetrical overlap the amount of the overlap must be doubled. These rules apply to single ceiling- or wall-mounted doors.

If installing as a pocket door with pre-shipped tracks please specify that the rollers ship with the tracks.
The rollers must be in the tracks before the tracks are installed.

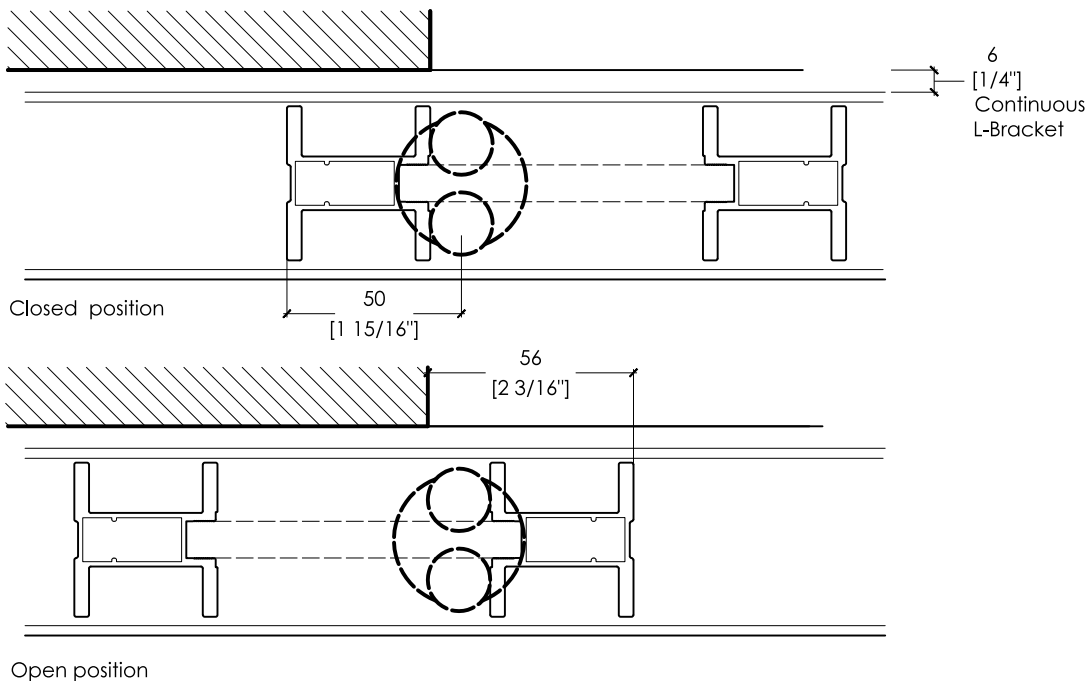
* Door can not travel past floor guide. To clear opening you must oversize the door.

SYSTEM DESCRIPTION **AIR**

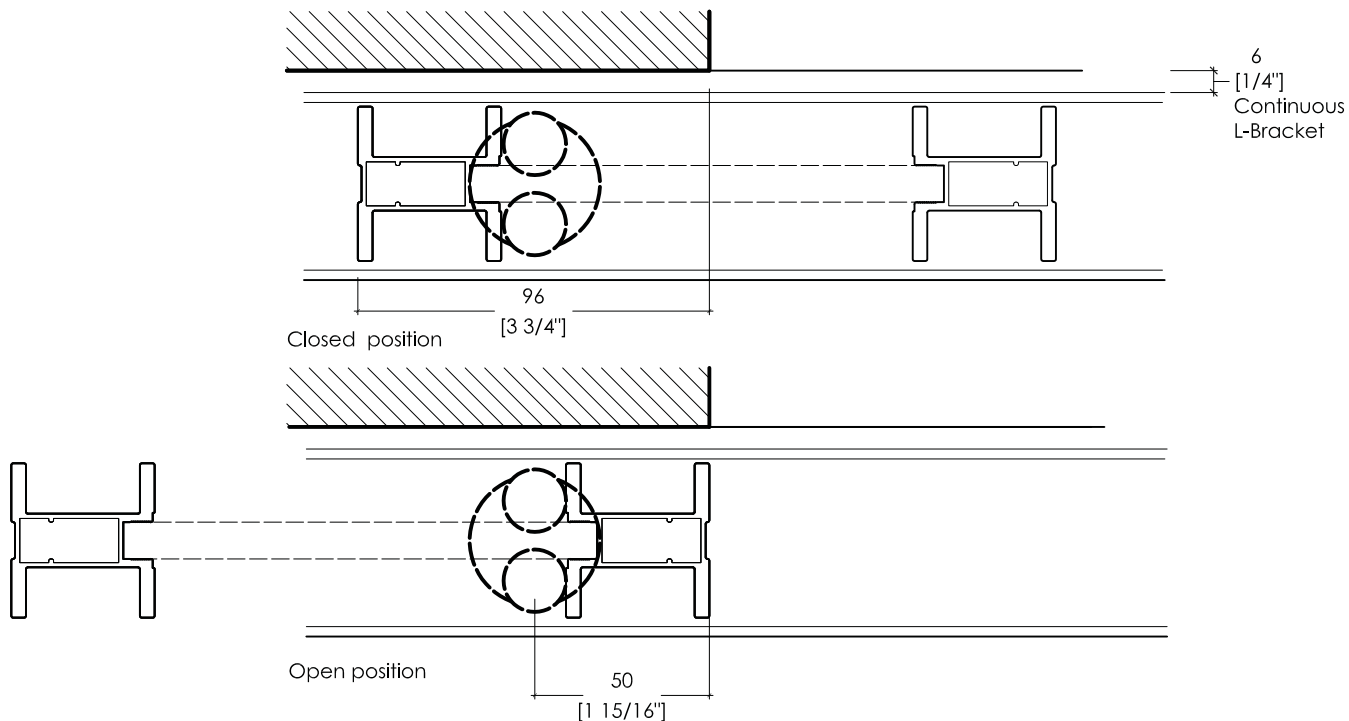
SLIDING DOOR SYSTEM

7.4_ S3000 Alignment options / wall-mounted, typical and oversized overlap

Typical overlap

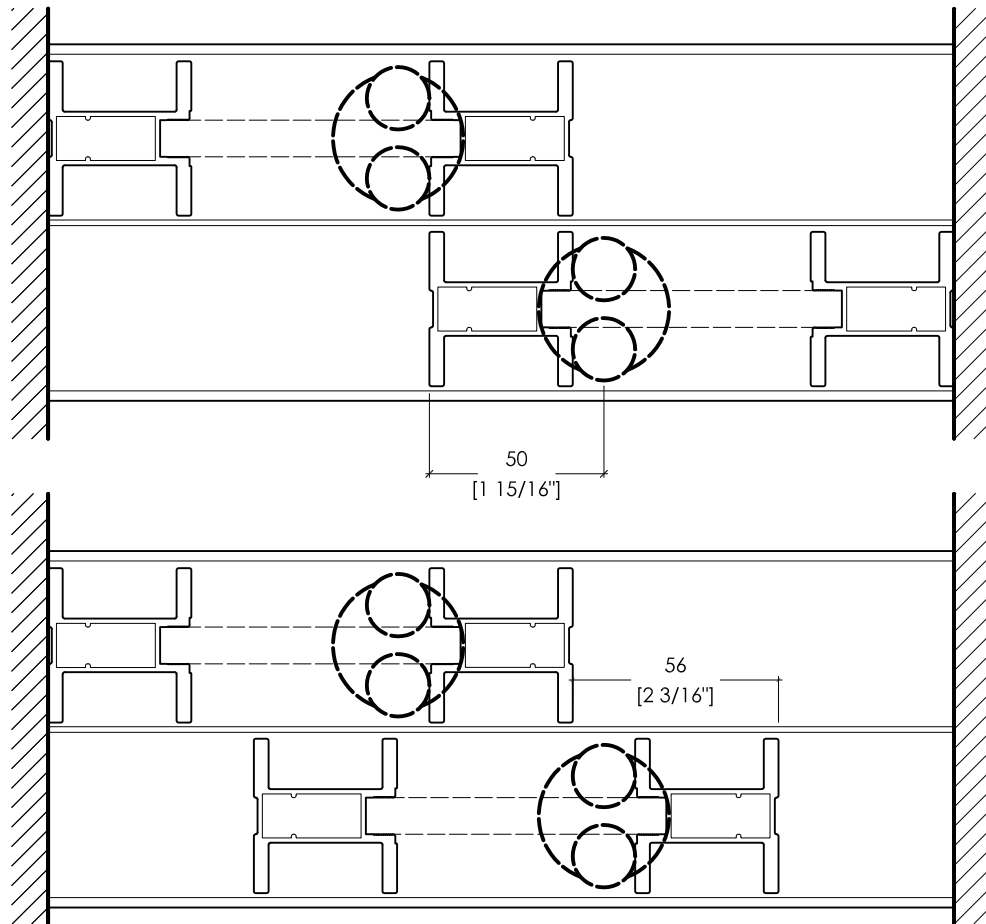


Oversized overlap



NOTE: Door can not travel past floor guide. To clear opening you must oversize the door.

7.5_ S3000 Alignment / offset bypass



7.6_ S3000 Alignment notes

Each AIR door is held in vertical plane at three points: the two top rollers and the ground plate with roller (floor guide).

For wall-mounted doors, with a **typical overlap** (one stile each side of opening) the door will project into the opening by 37mm [2 7/16"] when in the open position. To fully clear the opening, a door must be **oversized** with an overlap on one side at a minimum of 96mm [3 3/4"]. For a symmetrical overlap the amount of the overlap must be doubled. These rules apply to single ceiling- or wall-mounted doors.

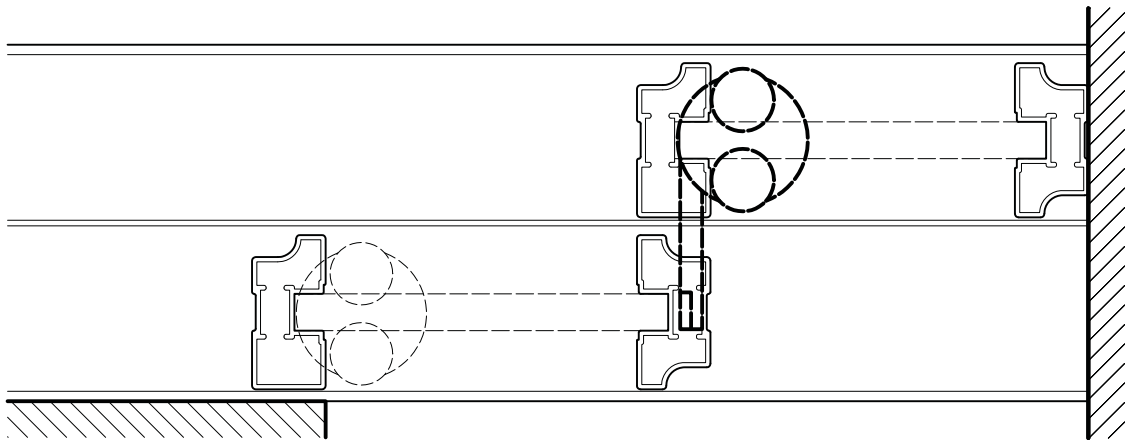
If installing as a pocket door with pre-shipped tracks please specify that the rollers ship with the tracks.
The rollers must be in the tracks before the tracks are installed.

SYSTEM DESCRIPTION_ AIR

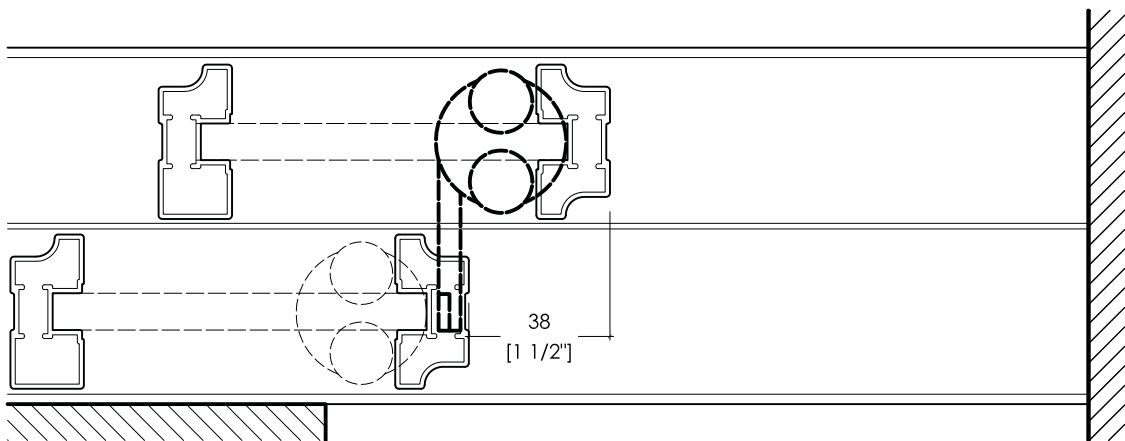
SLIDING DOOR SYSTEM

8_ Diagrams_Ganging

8.1_ S1500 Ganging / double, left

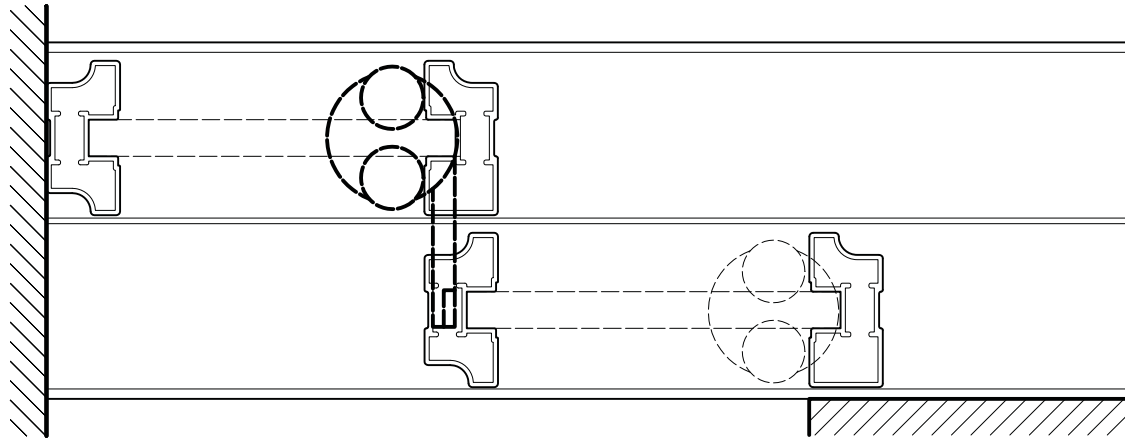


Closed position

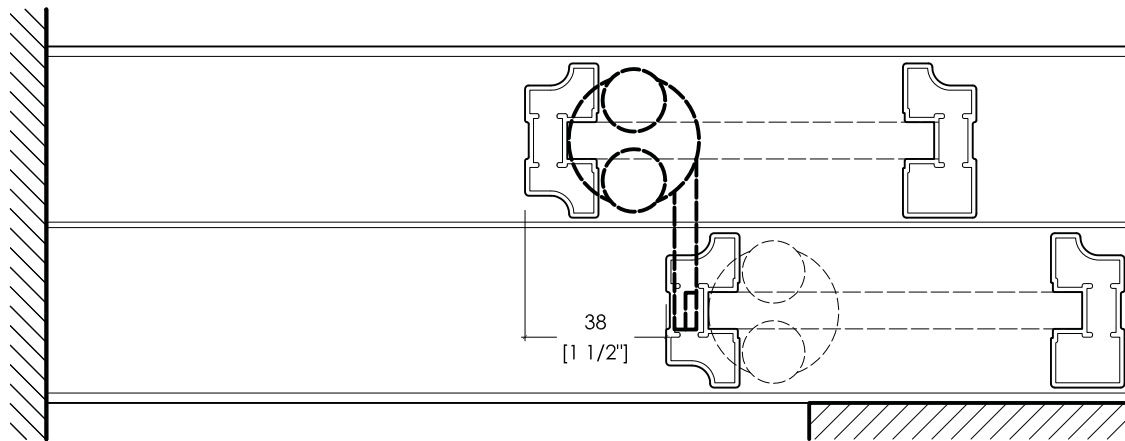


Open position

8.2_ S1500 Ganging / double, right



Closed position



Open position

8.3_ S1500 Ganging notes

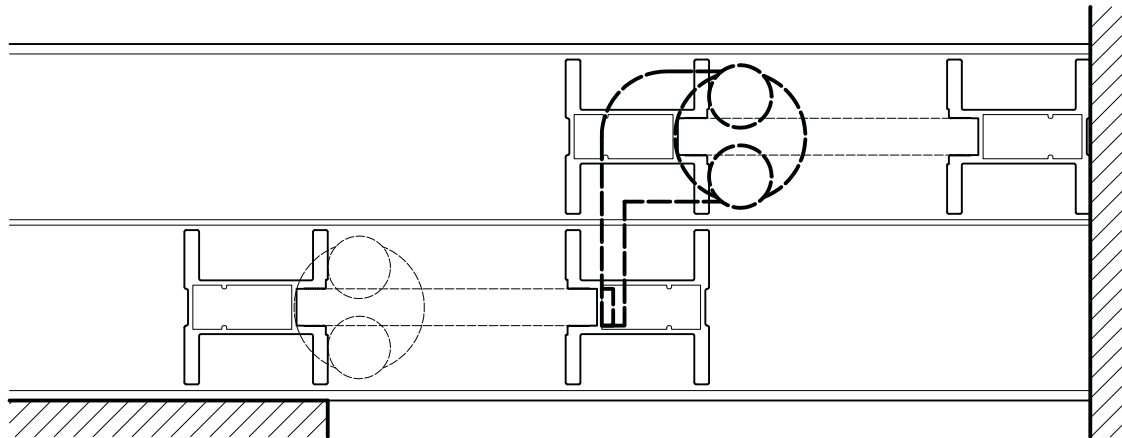
The ganging device makes it possible to open and close two AIR doors in one motion. Like the ground plate with roller, the ganging device is concealed under the bottom rail and keeps each door in line with the other doors. The first door will always have a ground plate with roller, which serves to anchor both doors to the floor. Refer to the diagrams to specify left or right ganging device.

Please note: doors ganged to each other stack staggered from one another (see diagrams).

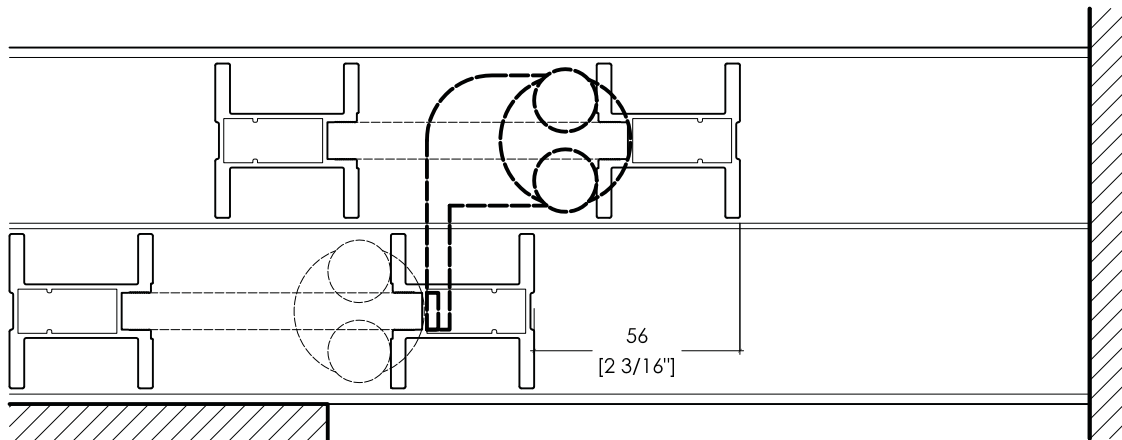
SYSTEM DESCRIPTION_ AIR

SLIDING DOOR SYSTEM

8.4_ S3000 Ganging / double, left

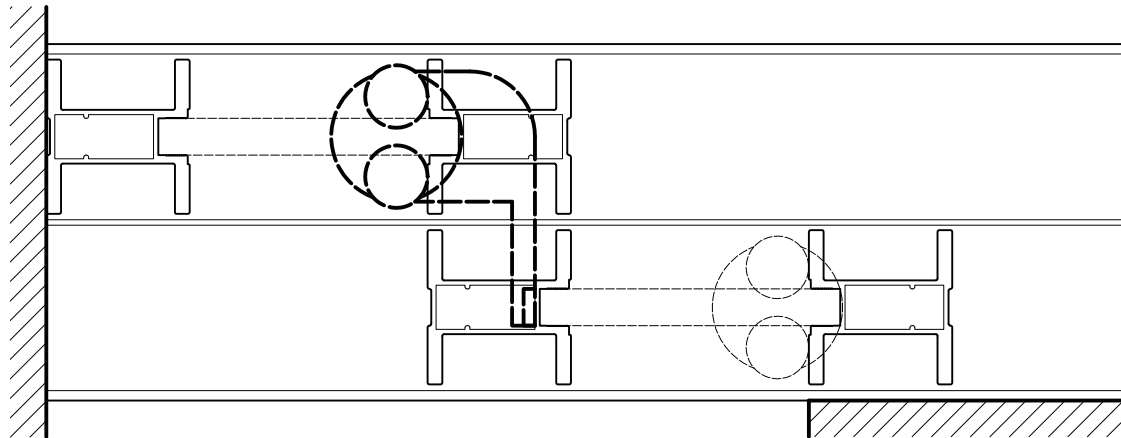


Closed position

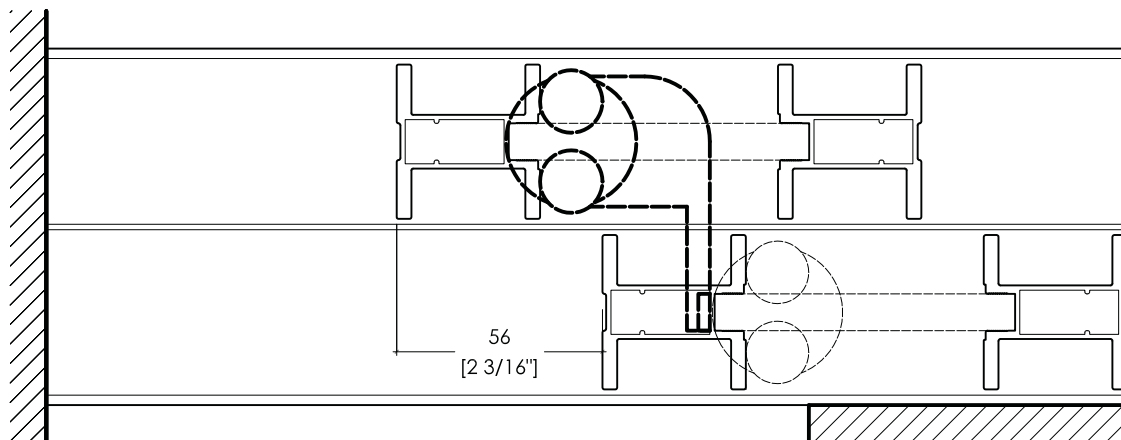


Open position

8.5_ S3000 Ganging / double, right



Closed position



Open position

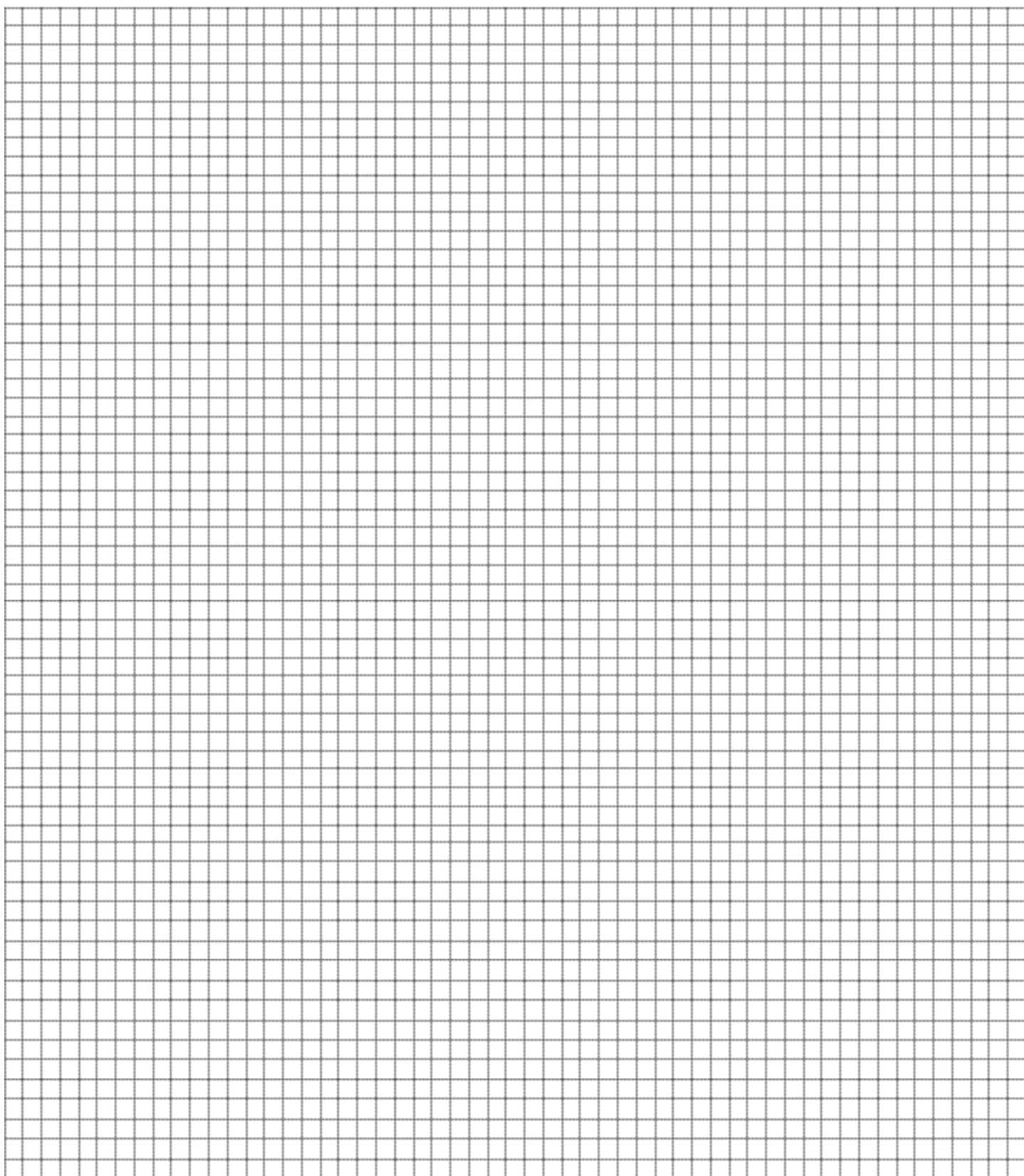
8.6_ S3000 Ganging notes

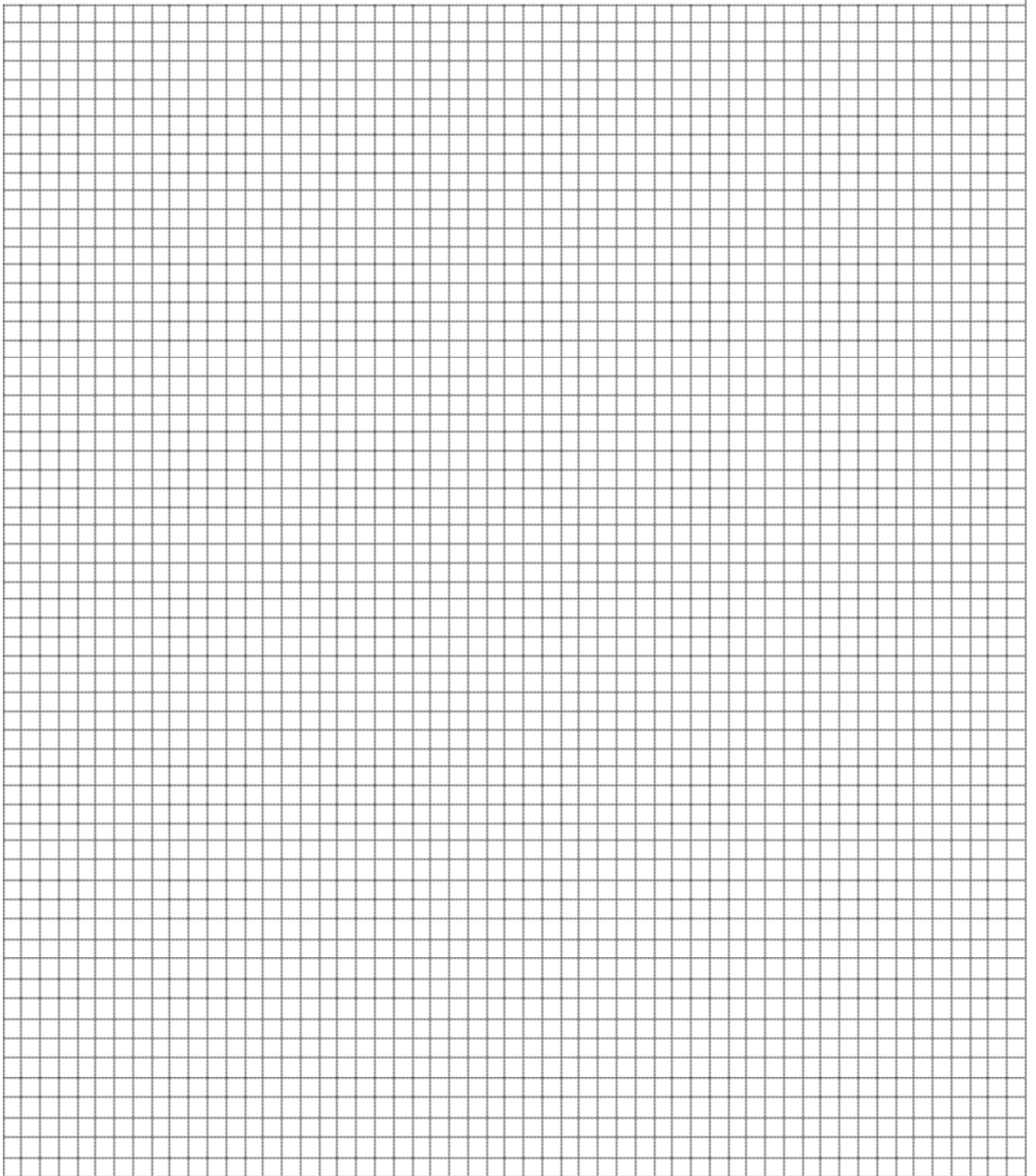
The ganging device makes it possible to open and close two AIR doors in one motion. Like the ground plate with roller, the ganging device is concealed under the bottom rail and keeps each door in line with the other doors. The first door will always have a ground plate with roller, which serves to anchor both doors to the floor. Refer to the diagrams to specify left or right ganging device.

Please note: doors ganged to each other stack staggered from one another (see diagrams).

SYSTEM DESCRIPTION_ AIR

SLIDING DOOR SYSTEM





Technical specifications are subject to change. All rights reserved raumplus North America
Should you have any further questions, please contact your **raumplus** representative.

Published by:

raumplus North America • 866 580 0112

Corporate Office / USA • 866 580 0112

Sales Office / New York • 212 947 0404

Corporate Office / CANADA • 866 999 3949